



# PRICE BOOK

Version 4

Electric Motors | Vibrators | Drives | Gearboxes | Pumps | Components





# WE STOCK A WIDE RANGE OF PRODUCTS

to support businesses, large or small, from various industries throughout the lower North Island

SOCO are a leading importer, reseller and service provider of electric motors, pumps, drives, gearboxes, bearings, power transmission and component products. We are located in Palmerston North and service a range of industries throughout the lower North Island, from growing, processing, manufacturing through to infrastructure. By being locally owned and operated, we understand our customer's industries and are responsive to their changing requirements.

Our loyal customers know us for our combination of leading product brands, application proficiency, broad engineering expertise, service, experienced repair and diagnostic testing.

---

## ASSOCIATE COMPANIES



Motor Technologies Ltd (Brook MTL), Rotating Machinery Supplies Ltd (RMS) and SOCO Ltd form a group of associated companies specialising in the import and distribution of high quality industrial equipment across New Zealand.



Together, we represent and supply leading global brands such as OLI Motovibrators, electric motor brands of ABB, Brook Crompton and Crompton Greaves, along with an extensive range of variable speed drives from ABB and Delta, speed reducers and other essential industrial solutions.



With Brook MTL based in Auckland, RMS operating in Hamilton and Christchurch and SOCO serving the lower North Island from Palmerston North, we provide nationwide coverage and technical expertise to meet the diverse needs of the industrial and manufacturing sectors.

**ELECTRIC MOTORS**



ABB - Three Phase Motors  
Page 8 - 10



Brook Crompton - Three Phase Motors  
Page 11 - 14



Brook Crompton DC/AC Brake Motors  
Page 15 - 16



Crompton Greaves - Three Phase Motors  
Page 17 - 18



Crompton Greaves - B56 Series Motors  
Page 19 - 20



Orange 1 - Three Phase Motors  
Page 21 - 22



Orange 1 - Brake Motors AC  
Page 23



Orange 1 - Single Phase CSCR Motors  
Page 24



Orange 1 - Single Phase PSC Motors  
Page 25 - 26



Elprom - Three Phase Flameproof  
Page 27



Elprom - CSCR Flameproof Motors  
Page 28



Elprom - PSC Flameproof Motors  
Page 29



EMG - Three Phase Stainless Steel Motors  
Page 30



Rotomotive - Three Phase Reduced Frame Motors  
Page 31

**VIBRATOR MOTORS + FLOW AIDS**



OLI - MVE Vibrators  
Page 33 - 35



OLI - MVE Single Phase Vibrators  
Page 36



OLI - MVE Stainless Steel Vibrators  
Page 37



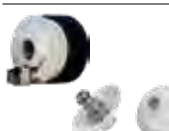
OLI - MVE DC Vibrators  
Page 38



OLI - MVE Micro Vibrators  
Page 39



OLI - Flow Aids - Pneumatic Rotary  
Page 40



OLI - Flow Aids - Aerators  
Page 41

**DRIVES**



Drives - ABB ACS355 Machinery  
Page 44 - 45



Drives - ABB ACS580 General Purpose  
Page 46 - 47



Drives - ABB ACQ Water & Wastewater  
Page 48 - 49



Drives - ABB ACS150 Micro  
Page 50

# CONTENTS



Drives - ABB Comms Modules  
Page 51



Drives - Delta VP3000 Series  
Page 52 - 53

## GEARBOXES



Hydromec - Worm Gearbox Right Angle Round  
Page 55 - 57



Hydromec - Worm Gearbox Square  
Page 58 - 60



Hydromec - Coaxial Gearbox 1 Stage  
Page 61



Hydromec - Gearbox Components - Motor Flange & Feet  
Page 62



Gearboxes - Hydromec Single & Double Output Shaft  
Page 63



Gearboxes - Hydromec Output Flange & Spacer  
Page 64



Gearboxes - Hydromec Input Bush & Reduction Bush  
Page 65



Gearboxes - Hydromec Kit 'R' Shaft Input & Reaction Arm  
Page 66



OSIP IDRA Tec 100  
Page 69



Saer M Series Jet Pumps  
Page 70 - 71



Saer M80 Jet Pump Sets  
Page 72



Saer Brio 2000  
Page 73



Saer BP Series  
Page 74 - 75



Saer FC Series  
Page 76 - 77



Saer IR Series  
Page 78 - 79



Saer KF1  
Page 80



Saer KF1, KF1 + Brio Set  
Page 81



Saer M150  
Page 82 - 83



Saer Parts and Components  
Page 84



Air Pump AP Series  
Page 85



Franklin Bore Hole Pump Electric Motors  
Page 86

## PUMPS



OSIP Powertec 105  
Page 68



Components - Pressure controls, gauges, switches  
Page 87

## ACCESORIES & COMPONENTS



EMG - Forced Ventilation Units  
Page 89



DOL - Capacitive Sensor - 44R Series  
Page 90



DOL - Capacitive Sensor - i-44R Series  
Page 91



Capacitors - Motor Running  
Page 92



Capacitors - Motor Running with Stud Mount  
Page 93



Capacitors - Motor Running & Starting  
Page 94



Capacitors - Accessories  
Page 95



Overload Relay Switches  
Page 96



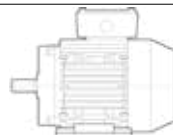
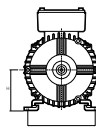
Motor Slide Rails  
Page 97



EMG - Enclosure Boxes  
Page 98



Consumables  
Page 99 - 102



Pump Conversion Factors  
Page 110



Brand Overview  
Page 111 - 112



Our Team  
Page 113





# ELECTRIC MOTORS

Three phase, DC / AC Brake, Single Phase CSCR, Single Phase PSC, B56, Reduced Frame, Flameproof, Stainless Steel.



- General performance cast iron M2BAX 71-355 frame, 0.25-355 kW
- 71-100 frames 230/400V 50Hz. Multivoltage: 220-240V/380-415V- 50Hz; 250/460 - 60Hz
- 112-55 frames 400/690V 50Hz. Multivoltage: 380-415V/660-690V - 50Hz; 440-460 - 60Hz
- Ambient temperature operating range -20°C to +40°C
- Cooling IC 411 TEFC
- Insulation 71-132 frames Class F insulation with B temp rise; 160-355 frames Class H insulation with F temp rise
- Efficiency IE3, IP66 protection as standard, IEC60034-1:2014, Australian HE MEPS
- Stator protection Thermistor +150°C as standard

## TWO POLE - 3000RPM

Code	Motor Type	kW	Hp	RPM	Frame	Current (A)	Shaft (mm)	Approx. Weight (kg)	List Price		
									B3 Feet	B35 Feet + Flange (D)	B34 Feet + Face (C)
ABB2000037X	M2BAX 71MC 2	0.37	0.5	2819	71MC	0.86	14	10	\$405	\$518	\$541
ABB2000055X	M2BAX 71MB 2	0.55	0.7	2816	71MB	1.27	14	10	\$455	\$568	\$591
ABB2000075X	M2BAX 80MC 2	0.75	1	2891	80MC	1.66	19	16	\$545	\$659	\$682
ABB2000110X	M2BAX 80MD 2	1.1	1.5	2860	80MD	2.29	19	17	\$586	\$700	\$723
ABB2000150X	M2BAX 90SB 2	1.5	2	2912	90SB	3.04	24	23	\$691	\$805	\$827
ABB2000220X	M2BAX90SLA 2	2.2	3	2908	90SLA	4.54	24	26	\$864	\$977	\$1,000
ABB2000300X	M2BAX 100LKA 2	3	4	2910	100LKA	5.38	28	42	\$986	\$1,100	\$1,123
ABB2000400X	M2BAX 112MB 2	4	5.4	2908	112MB	7.23	28	42	\$1,255	\$1,432	\$1,468
ABB2000550X	M2BAX 132SMA 2	5.5	7.4	2931	132SMA	10.5	38	64	\$1,973	\$2,086	\$2,186
ABB2000750X	M2BAX 132SMB 2	7.5	10	2921	132SME	14	38	72	\$2,350	\$2,527	\$2,564
ABB2001100X	M2BAX 160MLA 2	11	15	2943	160MLA	19.1	42	121	\$3,064	\$3,386	NA
ABB2001500X	M2BAX 160MLB 2	15	20	2947	160MLB	26.5	42	128	\$3,786	\$4,109	NA
ABB2001850X	M2BAX 160MLC 2	18.5	25	2949	160MLC	32	42	145	\$4,427	\$4,750	NA
ABB2002200X	M2BAX 180MLA 2	22	29.5	2941	180MLA	41.1	48	152	\$4,968	\$5,318	NA
ABB2003000X	M2BAX 200MLA 2	30	40	2961	200MLA	52	55	250	\$6,223	\$6,768	NA
ABB2003700X	M2BAX 200MLB 2	37	50	2951	200MLB	63.9	55	268	POA	POA	NA
ABB2004500X	M2BAX 225SMA 2	45	60	2962	225SMA	81.3	55	278	POA	POA	NA
ABB2005500X	M2BAX 250SMA 2	55	74	2965	250SMA	96.4	60	335	POA	POA	NA
ABB2007500X	M2BAX 280SMF 2	75	100.5	2971	280SMF	129	65	527	POA	POA	NA
ABB2009000X	M2BAX 280SMG 2	90	121	2970	280SMG	152	65	578	POA	POA	NA
ABB2011000X	M2BAX 315SMB 2	110	147.5	2982	315SMB	192	65	801	POA	POA	NA
ABB2013200X	M2BAX 315SMC 2	132	177	2982	315SMC	229	65	852	POA	POA	NA
ABB2016000X	M2BAX 315SMD 2	160	214.5	2983	315SMD	275	65	909	POA	POA	NA
ABB2020000X	M2BAX 315MLA 2	200	268	2983	315MLA	342	65	1051	POA	POA	NA
ABB2025000X	M2BAX 355SMA 2	250	335	2985	355SMA	423	70	1412	POA	POA	NA
ABB2031500X	M2BAX 355SMB 2	315	422	2980	355SMB	529	70	1495	POA	POA	NA
ABB2035500X	M2BAX 355SMC 2	355	476	2984	355SMC	605	70	1565	POA	POA	NA

### Other motors also available

- Brake Motors - 2, 4 and 6 pole
- Crusher duty motors
- High voltage motors
- ODP motors
- Non-sparking (Ex-n) motors
- DIP motors
- Three phase NEMA frame motors
- Two speed motors
- Mining motors
- Exhaust and ventilating fan motors
- Explosion proof motors





- General performance cast iron M2BAX 71-355 frame, 0.25-355 kW
- 71-100 frames 230/400V 50Hz. Multivoltage: 220-240V/380-415V- 50Hz; 250/460 - 60Hz
- 112-55 frames 400/690V 50Hz. Multivoltage: 380-415V/660-690V - 50Hz; 440-460 - 60Hz
- Ambient temperature operating range -20°C to +40°C
- Cooling IC 411 TEFC
- Insulation 71-132 frames Class F insulation with B temp rise; 160-355 frames Class H insulation with F temp rise
- Efficiency IE3, IP66 protection as standard, IEC60034-1:2014, Australian HE MEPS
- Stator protection Thermistor +150°C as standard

## FOUR POLE - 1500RPM

Code	Motor Type	kW	Hp	RPM	Frame	Current (A)	Shaft (mm)	Approx. Weight (kg)	List Price		
									B3 Feet	B35 Feet + Flange (D)	B34 Feet + Face (C)
ABB4000025X	M2BAX 71MB 4	0.25	0.3	1440	71MB	0.78	14	10	POA	POA	POA
ABB4000037X	M2BAX 71MLA 4	0.37	0.5	1441	71MLA	1.06	14	12	\$445	\$559	\$582
ABB4000055X	M2BAX 80MC 4	0.55	0.7	1446	80MC	1.32	19	17	\$486	\$600	\$623
ABB4000075X	M2BAX 80MLA 4	0.75	1	1445	80MLA	1.84	19	21	\$559	\$673	\$695
ABB4000110X	M2BAX 90SB 4	1.1	1.5	1438	90SB	2.59	24	23	\$636	\$750	\$773
ABB4000150X	M2BAX 90SLA 4	1.5	2	1434	90SLA	3.52	24	25	\$736	\$850	\$873
ABB4000220X	M2BAX 100LB 4	2.2	3	1450	100LB	4.74	28	34	\$877	\$991	\$1,014
ABB4000300X	M2BAX 100LKA 4	3	4	1448	100LKA	6.25	28	41	\$1,041	\$1,155	\$1,177
ABB4000400X	M2BAX 112MLA 4	4	5.4	1443	112MLA	7.91	28	50	\$1,314	\$1,491	\$1,527
ABB4000550X	M2BAX 132SMA 4	5.5	7.4	1463	132SMA	11.4	38	67	\$2,014	\$2,191	\$2,227
ABB4000750X	M2BAX 132MLA 4	7.5	10	1456	132MLA	15.2	38	84	\$2,436	\$2,614	\$2,650
ABB4001100X	M2BAX 160MLA 4	11	14.7	1477	160MLA	21.1	42	136	\$3,123	\$3,445	NA
ABB4001500X	M2BAX 160MLB 4	15	20	1477	160MLB	28.5	42	161	\$3,827	\$4,150	NA
ABB4001850X	M2BAX 180MLA 4	18.5	25	1472	180MLA	35	48	169	\$4,345	\$4,695	NA
ABB4002200X	M2BAX 180MLB 4	22	29.5	1473	180MLB	42.8	48	198	\$5,027	\$5,377	NA
ABB4003000X	M2BAX 200MLA 4	30	40	1481	200MLA	56.3	55	282	\$6,409	\$6,955	NA
ABB4003700X	M2BAX 225SMA 4	37	49.6	1479	225SMA	70.3	60	278	POA	POA	NA
ABB4004500X	M2BAX 225SMB 4	45	60.3	1481	225SMB	87.8	60	293	POA	POA	NA
ABB4005500X	M2BAX 250SMA 4	55	74	1479	250SMA	102	65	386	POA	POA	NA
ABB4007500X	M2BAX 280SMF 4	75	100.5	1481	280SMF	137	75	530	POA	POA	NA
ABB4009000X	M2BAX 280SMG 4	90	120.6	1482	280SMG	161	75	593	POA	POA	NA
ABB4011000X	M2BAX 315SMB 4	110	147.5	1489	315SMB	196	80	823	POA	POA	NA
ABB4013200X	M2BAX 315SMC 4	132	177	1488	315SMC	231	80	892	POA	POA	NA
ABB4016000X	M2BAX 315SMD 4	160	214.5	1488	315SMD	282	80	933	POA	POA	NA
ABB4020000X	M2BAX 315MLB 4	200	268	1487	315MLB	351	90	1091	POA	POA	NA
ABB4025000X	M2BAX 355SMA 4	250	335	1491	355SMA	435	100	1445	POA	POA	NA
ABB4031500X	M2BAX 355SMB 4	315	422	1491	355SMB	545	100	1595	POA	POA	NA
ABB4035500X	M2BAX 355SMC 4	355	476	1490	355SMC	616	100	1635	POA	POA	NA

### Optional features available

- Rain hats for vertical mount shaft down applications
- EDM protection (VSD) for motors 280 frame size and up
- Roller bearing on drive end
- Double shaft motors
- Reduced shaft encoder
- Shaft grounding devices
- Special paint plans
- Space heaters
- Forced ventilation kit
- Special electrical and mechanical characteristics on request
- Special shaft dimensions on request



- General performance cast iron M2BAX 71-355 frame, 0.25-355 kW
- 71-100 frames 230/400V 50Hz. Multivoltage: 220-240V/380-415V- 50Hz; 250/460 - 60Hz
- 112-55 frames 400/690V 50Hz. Multivoltage: 380-415V/660-690V - 50Hz; 440-460 - 60Hz
- Ambient temperature operating range -20°C to +40°C
- Cooling IC 411 TEFC
- Insulation 71-132 frames Class F insulation with B temp rise; 160-355 frames Class H insulation with F temp rise
- Efficiency IE3, IP66 protection as standard, IEC60034-1:2014, Australian HE MEPS
- Stator protection Thermistor +150°C as standard

## SIX POLE - 1000RPM

Code	Motor Type	kW	Hp	RPM	Frame	Current (A)	Shaft (mm)	Approx. Weight (kg)	List Price		
									B3 Feet	B35 Feet + Flange (D)	B34 Feet + Face (C)
ABB6000018X	M2BAX 71MB 6	0.18	0.2	931	71MB	0.6	14	10	POA	POA	POA
ABB6000025X	M2BAX 71MLA 6	0.25	0.3	926	71MLA	0.8	14	13	POA	POA	POA
ABB6000037X	M2BAX 80MC 6	0.37	0.5	939	80MC	1.09	19	17	\$518	\$632	\$655
ABB6000055X	M2BAX 80MLA 6	0.55	0.7	943	80MLA	1.54	19	23	\$586	\$700	\$723
ABB6000075X	M2BAX 90SLA 6	0.75	1	952	90SLA	2.35	24	23	\$700	\$814	\$836
ABB6000110X	M2BAX 90LB 6	1.1	1.5	954	90LB	3.2	24	30	\$850	\$964	\$986
ABB6000150X	M2BAX 100LKA 6	1.5	2	953	100LKA	4	28	37	\$909	\$1,018	\$1,045
ABB6000220X	M2BAX 112MLA 6	2.2	3	957	112MLA	5.94	28	46	\$1,255	\$1,432	\$1,468
ABB6000300X	M2BAX 132SMA 6	3	4	968	132SMA	7.4	38	65	\$1,855	\$2,032	\$2,068
ABB6000400X	M2BAX 132SMB 6	4	5.4	972	132SMB	10.1	38	71	\$2,218	\$2,395	\$2,432
ABB6000550X	M2BAX 132MLA 6	5.5	7.4	974	132MLA	13.5	38	97	\$2,723	\$2,900	\$2,936
ABB6000750X	M2BAX 160MLA 6	7.5	10	979	160MLA	15.9	42	131	\$3,286	\$3,609	NA
ABB6001100X	M2BAX 160MLB 6	11	14.7	976	160MLB	22.5	42	161	\$4,205	\$4,527	NA
ABB6001500X	M2BAX 180MLA 6	15	20	971	180MLA	31.8	48	197	\$5,027	\$5,377	NA
ABB6001850X	M2BAX 200MLA 6	18.5	25	978	200MLA	38.8	55	208	\$6,182	\$6,727	NA
ABB6002200X	M2BAX 200MLB 6	22	29.5	978	200MLB	45.9	55	251	\$7,132	\$7,677	NA
ABB6003000X	M2BAX 225SMA 6	30	40	988	225SMA	59	60	286	\$9,445	\$10,068	NA
ABB6003700X	M2BAX 250SMA 6	37	49.6	986	250SMA	72.4	65	360	POA	POA	NA
ABB6004500X	M2BAX 280SMF 6	45	60.3	990	280SMF	84.5	75	524	POA	POA	NA
ABB6005500X	M2BAX 280SMG 6	55	74	989	280SMG	103	75	563	POA	POA	NA
ABB6007500X	M2BAX 315SMB 6	75	100.5	994	315SMB	136	80	791	POA	POA	NA
ABB6009000X	M2BAX 315SMC 6	90	120.6	994	315SMC	164	80	859	POA	POA	NA
ABB6011000X	M2BAX 315SMD 6	110	147.5	994	315SMD	200	80	912	POA	POA	NA
ABB6013200X	M2BAX 315MLB 6	132	177	995	315MLB	242	90	1068	POA	POA	NA
ABB6016000X	M2BAX 355SMA 6	160	214.5	993	355SMA	292	100	1348	POA	POA	NA
ABB6020000X	M2BAX 355SMB 6	200	268	993	355SMB	365	100	1512	POA	POA	NA
ABB6025000X	M2BAX 355SMC 6	250	335	993	355SMC	464	100	1656	POA	POA	NA



### Optional features available

- Rain hats for shaft down applications
- EDM protection (VSD) for motors 280 frame size and up
- Roller bearing on drive end
- Double shaft motors
- Reduced shaft encoder
- Shaft grounding devices
- Special paint plans
- Space heaters
- Forced ventilation kit
- Special electrical and mechanical characteristics on request
- Special shaft dimensions on request

- W Series aluminium 63-180 or cast iron 80-355 frame sizes
- Cast iron IE2, IP56. Aluminium IP55
- AS/NZS 1359.5:2006 MEPS compliant
- Standard class F insulation; TEFC
- Removable feet, foot, flange or face mounting options in aluminium and cast iron
- 230/400V, 50Hz up to 3kW
- 400/690V, 50Hz 4kW and above
- Flange ring 200 frame and above



## TWO POLE - 3000RPM

Aluminium Code	Cast Iron Code	kW	HP	RPM	Frame	Current (A)	Shaft (mm)	Approx. Weight (kg)		List Price	
								Al	Cast	B3 Feet	B35 Feet + Flange (D) B34 Feet + Face (C)
WDA63SF-2	Not available	0.18	0.25	2810	63	0.62	11	5	-	POA	POA
WDA63SG-2		0.25	0.33	2810	63	0.72	11	5	-	POA	POA
WDA71SG-2		0.37	0.5	2815	71	0.88	14	6.5	-	POA	POA
WDA71SK-2		0.55	0.75	2820	71	1.23	14	6.5	-	POA	POA
WM2DA80MM-2A	WM2DF80MM-2A	0.75	1	2880	80M	1.65	19	12	15	POA	POA
WM2DA80MM-2B	WM2DF80MM-2B	1.1	1.5	2880	80M	2.35	19	12	15	POA	POA
WM2DA90SMX-2	WM2DF90SMX-2	1.5	2	2850	90S	2.97	24	13	19	\$653	\$673
WM2DA90LSX-2	WM2DF90LSX-2	2.2	3	2890	90L	4.6	24	15	30.5	\$716	\$737
WM2DA100LMF-2	WM2DF100LMF-2	3	4	2890	100L	5.9	28	24.5	35.5	\$976	\$1,049
WM2DA112MM-2	WM2DF112MM-2	4	5.5	2870	112M	7.3	28	29.5	45	\$1,217	\$1,254
WM2DA132SEX-2	WM2DF132SE-2	5.5	7.5	2910	132S	10.2	38	46	78.1	\$1,660	\$1,710
WM2DA132SJX-2	WM2DF132SM-2	7.5	10	2900	132S	13.5	38	51	78.1	\$1,834	\$1,889
WM2DA160MB-2	WM2DF160MB-2	11	15	2940	160M	20	42	84	121	\$2,863	\$2,949
WM2DA160MJ-2	WM2DF160MJ-2	15	20	2940	160M	26.6	42	84	121	\$3,190	\$3,274
WM2DA160LR-2	WM2DF160LR-2	18.5	25	2935	160L	32.5	42	92	133	\$3,429	\$3,532
WM2DA180ME-2	WM2DF180ME-2	22	30	2950	180M	39	48	116	162	\$4,681	\$4,821
Not available	WM2DF200LGX-2	30	40	2945	200L	53	55	-	255	\$5,336	\$5,436
	WM2DF200LNX-2	37	50	2945	200L	66	55	-	255	\$5,666	\$5,836
	WM2DF225MN-2	45	60	2955	225M	78	55	-	375	\$7,970	\$8,209
	WM2DF250SN-2	55	75	2955	250S	94	60	-	485	\$9,072	\$9,344
	WM2DF250MN-2	75	100	2960	250M	128	60	-	570	\$12,057	\$12,418
	WM2DF280SN-2	90	125	2960	280S	152	65	-	660	\$13,152	\$13,547
	WM2DF280MN-2	110	150	2980	280M	185	65	-	800	POA	POA
	WM2DF315SN-2	132	175	2975	315S	224	65	-	1000	POA	POA
	WM2DF315MN-2	150	200	2980	315M	251	65	-	1100	POA	POA
	WM2DF315MP-2	160	215	2980	315M	268	65	-	1100	POA	POA
	WM2DF315LN-2	185	250	2975	315L	306	65	-	1300	POA	POA
	WM2DF315LP-2	200	270	2980	315L	330	65	-	1300	POA	POA
	WM2DF355SG-2	225	300	2985	355S	384	75	-	2000	POA	POA
	WM2DF355SJ-2	250	340	2980	355S	427	75	-	2000	POA	POA
	WM2DF355SN-2	280	380	2985	355S	478	75	-	2000	POA	POA
	WM2DF355MJ-2	315	430	2985	355M	532	75	-	2300	POA	POA
WM2DF355MN-2	355	475	2985	355M	599	75	-	2300	POA	POA	
WM2DF355LN-2	375	430	2980	355L	663	75	-	2500	POA	POA	



- W Series aluminium 63-180 or cast iron 80-355 frame sizes
- Cast iron IE2, IP56. Aluminium IP55
- AS/NZS 1359.5:2006 MEPS compliant
- Standard class F insulation; TEFC
- Removable feet, foot, flange or face mounting options in aluminium and cast iron
- 230/400V, 50Hz up to 3kW
- 400/690V, 50Hz 4kW and above
- Flange ring 200 frame and above

**FOUR POLE - 1500RPM**

Aluminium Code	Cast Iron Code	kW	HP	RPM	Frame	Current (A)	Shaft (mm)	Approx. Weight (kg)		List Price	
								Al	Cast	B3 Feet	B35 Feet + Flange (D) B34 Feet + Face (C)
WDA63SF-4	Not available	0.12	0.166	1360	63	0.47	11	5	-	POA	POA
WDA63SG-4		0.18	0.25	1370	63	0.63	11	5	-	POA	POA
WDA71SJ-4		0.25	0.33	1400	71	0.8	14	6.5	-	POA	POA
WDA71SK-4		0.37	0.5	1410	71	1.11	14	6.5	-	POA	POA
WDA80ME-4		0.55	0.75	1410	80M	1.69	19	12	-	POA	POA
WDA80MS-4		0.75	1	1440	80M	1.9	19	12	-	POA	POA
WM2DA90LTX-4	WM2DF90LTX-4	1.1	1.5	1425	90L	2.5	24	15	30.5	\$626	\$748
WM2DA90LWX-4	WM2DF90LWX-4	1.5	2	1440	90L	3.7	24	15	30.5	\$726	\$808
WM2DA100LRF-4	WM2DF100LRF-4	2.2	3	1435	100L	5.1	28	24.5	35.5	\$870	\$1,017
WM2DA100LTF-4	WM2DF100LTF-4	3	4	1455	100L	6.8	28	24.5	35.5	\$1,031	\$1,130
WM2DA112MT-4	WM2DF112MT-4	4	5.5	1440	112M	8.7	28	29.5	45	\$1,304	\$1,410
WM2DA132STX-4	WM2DF132STX-4	5.5	7.5	1460	132S	11.1	38	46	78.1	\$1,961	\$1,996
WM2DA132MVX-4	WM2DF132MVX-4	7.5	10	1460	132M	14.7	38	51	82.6	\$2,015	\$2,080
WM2DA160MJ-4	WM2DF160MJ-4	11	15	1465	160M	21	42	84	121	\$2,967	\$3,055
WM2DA160LR-4	WM2DF160LR-4	15	20	1460	160L	28	42	92	133	\$3,391	\$3,493
WM2DA180ME-4	WM2DF180ME-4	18.5	25	1470	180M	35	48	116	162	\$4,343	\$4,474
WM2DA180LJ-4	WM2DF180LJ-4	22	30	1470	180L	41	48	126	177.5	\$4,588	\$4,726
Not available	WM2DF200LNX-4	30	40	1470	200L	55	55	-	255	\$4,926	\$5,154
	WM2DF225SN-4	37	50	1475	225S	66	60	-	320	\$6,113	\$7,237
	WM2DF225MN-4	45	60	1480	225M	81	60	-	375	\$7,615	\$7,837
	WM2DF250SN-4	55	75	1475	250S	98	70	-	420	\$8,585	\$9,468
	WM2DF250MN-4	75	100	1480	250M	135	70	-	570	\$11,368	\$12,333
	WM2DF280SNE-4	90	125	1480	280S	162	80	-	660	\$13,300	\$13,695
	WM2DF280MN-4	110	150	1485	280M	193	80	-	800	\$15,462	\$15,810
	WM2DF315SN-4	132	175	1485	315S	231	85	-	1000	POA	POA
	WM2DF315MN-4	150	200	1490	315M	256	85	-	1100	POA	POA
	WM2DF315MP-4	160	215	1490	315M	270	85	-	1100	POA	POA
	WM2DF315LN-4A	185	250	1490	315L	312	85	-	1300	POA	POA
	WM2DF315LN-4B	200	270	1490	315L	337	85	-	1300	POA	POA
	WM2DF355SG-4	225	300	1490	355S	388	100	-	2000	POA	POA
	WM2DF355SJ-4	250	340	1485	355S	431	100	-	2000	POA	POA
	WM2DF355SN-4	280	380	1490	355S	483	100	-	2000	POA	POA
	WM2DF355MJ-4	315	430	1490	355M	543	100	-	2300	POA	POA
WM2DF355MN-4	355	475	1490	355M	605	100	-	2300	POA	POA	

- W Series aluminium 63-180 or cast iron 80-355 frame sizes
- Cast iron IE2, IP56. Aluminium IP55
- AS/NZS 1359.5:2006 MEPS compliant
- Standard class F insulation; TEFC
- Removable feet, foot, flange or face mounting options in aluminium and cast iron
- 230/400V, 50Hz up to 3kW
- 400/690V, 50Hz 4kW and above
- Flange ring 200 frame and above



## SIX POLE - 1000RPM

Aluminium Code	Cast Iron Code	kW	HP	RPM	Frame	Current (A)	Shaft (mm)	Approx. Weight (kg)		List Price	
								Al	Cast	B3 Feet	B35 Feet + Flange (D) B34 Feet + Face (C)
WDA63MM-6	Not available	0.12	0.166	900	63	0.55	11	5	-	POA	POA
WDA71SK-6		0.18	0.25	910	71	0.75	14	6.5	-	POA	POA
WDA71SR-6		0.25	0.33	920	71	1.06	14	6.5	-	POA	POA
WDA80MG-6		0.37	0.5	920	80M	1.27	19	12	-	POA	POA
WDA80MM-6		0.55	0.75	920	80M	1.77	19	12	-	POA	POA
WM2DA90STX-6	WM2DF90STX-6	0.75	1	935	90S	2.2	24	13	19	POA	POA
WM2DA90LWX-6	WM2DF90LWX-6	1.1	1.5	925	90L	3	24	15	30.5	\$789	\$813
WM2DA100LRF-6	WM2DF100LRF-6	1.5	2	930	100L	4.2	28	24.5	35.5	\$958	\$1,039
WM2DA112MT-6	WM2DF112MT-6	2.2	3	950	112M	5.5	28	29.5	45	\$1,194	\$1,318
WM2DA132SL-6	WM2DF132SL-6	3	4	965	132S	7.3	38	46	78.1	\$1,796	\$1,850
WM2DA132MM-6	WM2DF132MM-6	4	5.5	960	132M	9.3	38	51	82.6	\$1,894	\$1,951
WM2DA132MR-6	WM2DF132MR-6	5.5	7.5	950	132M	12.6	38	51	82.6	\$2,117	\$2,181
WM2DA160MM-6	WM2DF160MM-6	7.5	10	975	160M	16.6	42	84	121	\$2,923	\$3,011
WM2DA160LV-6	WM2DF160LV-6	11	15	980	160L	24	42	92	133	\$3,472	\$3,577
WM2DA180LM-6	WM2DF180LM-6	15	20	980	180L	30.9	48	126	177.5	\$4,365	\$4,496
Not available	WM2DF200LGX-6	18.5	25	980	200L	36.5	55	-	255	\$4,823	\$4,967
	WM2DF200LNX-6	22	30	980	200L	42	55	-	255	\$5,072	\$5,312
	WM2DF225MN-6	30	40	985	225M	58.3	60	-	375	\$6,566	\$7,137
	WM2DF250SN-6	37	50	985	250S	71	70	-	420	POA	POA
	WM2DF250MN-6	45	60	985	250M	86	70	-	570	POA	POA
	WM2DF280SN-6	55	75	985	280S	104	80	-	660	POA	POA



- W Series aluminium 63-180 or cast iron 80-355 frame sizes
- Cast iron IE2, IP56. Aluminium IP55
- AS/NZS 1359.5:2006 MEPS compliant
- Standard class F insulation; TEFC
- Removable feet, foot, flange or face mounting options in aluminium and cast iron
- 230/400V, 50Hz up to 3kW
- 400/690V, 50Hz 4kW and above
- Flange ring 200 frame and above

**EIGHT POLE - 750RPM**

Aluminium Code	Cast Iron Code	kW	HP	RPM	Frame	Current (A)	Shaft (mm)	Approx. Weight (kg)		List Price	
								Al	Cast	B3 Feet	B35 Feet + Flange (D) B34 Feet + Face (C)
WDA71SG-8	Not available	0.09	0.125	695	71	0.55	14	6.5	-	POA	POA
WDA71SR-8		0.12	0.166	695	71	0.75	14	6.5	-	POA	POA
WDA80MG-8		0.18	0.25	695	80M	0.96	19	12	-	POA	POA
WDA80MM-8		0.25	0.33	695	80M	1.2	19	12	-	POA	POA
WM2DA90GS-8		0.37	0.5	700	90S	1.63	24	13	-	POA	POA
WM2DA90LM-8		0.55	0.75	680	90L	2.3	24	15	-	POA	POA
WM2DA100LMF-8		0.75	1	690	100L	2.64	28	24.5	-	POA	POA
WM2DA100LS-8		1.1	1.5	690	100L	3.7	28	24.5	-	POA	POA
WM2DA112MS-8		1.5	2	705	112M	5.3	28	29.5	-	POA	POA
WM2DA132SM-8	WM2DF132SM-8	2.2	3	720	132S	5.9	38	46	78.1	\$1,437	\$1,480
WM2DA132MR-8	WM2DF132MR-8	3	4	720	132M	7.8	38	51	82.6	\$1,872	\$1,929
WM2DA160ME-8	WM2DF160ME-8B	4	5.5	725	160M	9.9	42	84	121	\$2,613	\$2,691
WM2DA160MM-8	WM2DF160MM-8	5.5	7.5	725	160M	13.2	42	84	121	\$2,830	\$2,915
WM2DA160LV-8	WM2DF160LV-8	7.5	10	725	160L	17.3	42	92	133	\$3,135	\$3,416
WM2DA180LM-8	WM2DF180MM-8	11	15	730	180M	26.3	48	126	177.5	\$4,006	\$4,126
Not available	WM2DF200L-8	15	20	730	200L	33	55	-	255	POA	POA
	WM2DF225S-8A	18.5	25	730	225S	40	60	-	320	POA	POA
	WM2DF225M-8B	22	30	730	225M	47	60	-	375	POA	POA
	WM2DF250S-8A	30	40	735	250S	64	65	-	420	POA	POA
	WM2DF250M-8B	37	50	735	250M	77	65	-	570	POA	POA
	WM2DF280S-8A	45	60	735	280S	93	75	-	660	POA	POA
	WM2DF280M-8B	55	75	740	280M	113	75	-	800	POA	POA

- W series
- AS/NZS 1359.5:2006 MEPS compliant
- IP55 aluminium or cast iron construction
- Standard class F insulation
- Multi-mount feet
- 230/400V, 50Hz up to 3kW
- 400/690V, 50Hz 4kW and above



## TWO POLE - 3000RPM

Code	kW	Hp	Torque (Nm)	Frame	List Price			
					DC Brake B3 Feet	DC Brake B35 Feet + Flange (D) B34 Feet + Face (C)	AC Brake B3 Feet.	AC Brake B35 Feet + Flange (D) B34 Feet + Face (C)
WBDA71SG-2	0.37	0.5	1.26	71	\$1,235	\$1,252	\$1,633	\$1,650
WBDA71SK-2	0.55	0.75	1.87	71	\$1,262	\$1,280	\$1,660	\$1,678
WBM2DA80MM-2A	0.75	1	2.5	80	\$1,593	\$1,619	\$1,992	\$2,018
WBM2DA80MM-2B	1.1	1.5	3.7	80	\$1,596	\$1,623	\$1,995	\$2,022
WBM2DA90SMX-2	1.5	2	5.03	90S	\$2,278	\$2,311	\$2,612	\$2,645
WBM2DA90LSX-2	2.2	3	7.37	90L	\$2,347	\$2,384	\$2,681	\$2,718
WBM2DA100LMF-2	3	4	10.02	100L	\$2,717	\$2,771	\$3,129	\$3,183
WBM2DA112MM-2	4	5.5	13.5	112M	\$2,886	\$2,950	\$3,548	\$3,612
WBM2DA132SE-2	5.5	7.5	18	132S	\$3,774	\$3,857	\$4,351	\$4,434
WBM2DA132SM-2	7.5	10	25	132S	\$3,933	\$4,025	\$4,510	\$4,602

## FOUR POLE - 1500RPM

Code	kW	Hp	Torque (Nm)	Frame	List Price			
					DC Brake B3 Feet	DC Brake B35 Feet + Flange (D) B34 Feet + Face (C)	AC Brake B3 Feet.	AC Brake B35 Feet + Flange (D) B34 Feet + Face (C)
WBDA71SJ-4	0.25	0.33	1.73	71	\$1,272	\$1,291	\$1,670	\$1,689
WBDA71SK-4	0.37	0.5	2.56	71	\$1,283	\$1,303	\$1,681	\$1,701
WBDA80ME-4	0.55	0.75	3.75	80	\$1,597	\$1,624	\$1,996	\$2,023
WBDA80MS-4	0.75	1	5.12	80	\$1,636	\$1,665	\$2,035	\$2,064
WBM2DA90LTX-4	1.1	1.5	7.5	90S	\$2,347	\$2,384	\$2,681	\$2,718
WBM2DA90LWX-4	1.5	2	10.1	90L	\$2,422	\$2,464	\$2,756	\$2,798
WBM2DA100LRF-4	2.2	3	14.8	100L	\$2,674	\$2,726	\$3,086	\$3,138
WBM2DA100LTF-4	3	4	20.18	100L	\$2,786	\$2,843	\$3,198	\$3,255
WBM2DA112MT-4	4	5.5	27	112M	\$3,020	\$3,092	\$3,682	\$3,754
WBM2DA132STX-4	5.5	7.5	36	132S	\$3,939	\$4,032	\$4,516	\$4,609
WBM2DA132MVX-4	7.5	10	49	132M	\$4,078	\$4,179	\$4,655	\$4,756

- W series
- AS/NZS 1359.5:2006 MEPS compliant
- IP55 aluminium or cast iron construction
- Standard class F insulation
- Multi-mount feet
- 230/400V, 50Hz up to 3kW
- 400/690V, 50Hz 4kW and above



**SIX POLE - 1000RPM**

Code	kW	Hp	Torque (Nm)	Frame	List Price			
					DC Brake B3 Feet	DC Brake B35 Feet + Flange (D) B34 Feet + Face (C)	AC Brake B3 Feet.	AC Brake B35 Feet + Flange (D) B34 Feet + Face (C)
WBDA71SK-6	0.18	0.25	1.95	71	\$1,271	\$1,290	\$1,669	\$1,688
WBDA71SR-6	0.25	0.33	2.6	71	\$1,284	\$1,305	\$1,682	\$1,703
WBDA80MG-6	0.37	0.5	3.93	80	\$1,574	\$1,599	\$1,973	\$1,998
WBDA80MM-6	0.55	0.75	5.84	80	\$1,628	\$1,657	\$2,027	\$2,056
WBM2DA90STX-6	0.75	1	7.8	90S	\$2,341	\$2,379	\$2,675	\$2,713
WBM2DA90LWX-6	1.1	1.5	11.7	90L	\$2,406	\$2,447	\$2,740	\$2,781
WBM2DA100LRF-6	1.5	2	15.24	100L	\$2,708	\$2,761	\$3,120	\$3,173
WBM2DA112MT-6	2.2	3	22.25	112M	\$2,818	\$2,878	\$3,480	\$3,540
WBM2DA132SL-6	3	4	30	132S	\$3,906	\$3,997	\$4,483	\$4,574
WBM2DA132MM-6	4	5.5	40	132M	\$3,988	\$4,085	\$4,565	\$4,662
WBM2DA132MR-6	5.5	7.5	55	132M	\$4,177	\$4,285	\$4,754	\$4,862

**PARTS**

Code	Description	List Price
BCBKREHALF	BC Rectifier 0-500Vac IN x 0.445 VDC Out	\$389
BCBKRECFULL	BC Rectifier 0-500Vac IN x 0.89 VDC Out	\$389

- AS/ANZS 1359.5:2006 compliant
- IP55 aluminium construction
- Standard class F insulation with class B-temp rise
- Multi-mount feet
- 230/400V, 50Hz up to 3kW
- 400/690V, 50Hz 4kW and above
- Continuous rated



## TWO POLE - 3000RPM

Code	kW	Hp	Frame	Current (A)	Shaft (mm)	Approx. Weight (kg)	List Price	
							B3 Feet	B35 Feet + Flange (D) B34 Feet + Face (C)
IMGE1006	0.18	0.25	GD63	0.53	11	5	\$277	\$305
IMGE1009	0.25	0.33	GD63	0.62	11	5	\$300	\$330
IMGE1012	0.37	0.5	GD71	0.83	14	6.5	\$351	\$387
IMGE1015	0.55	0.75	GD71	1.14	14	6.5	\$393	\$433
IMGE1018	0.75	1	GD80	1.57	19	9	\$487	\$536
IMGE1021	1.1	1.5	GD80	2.22	19	9	\$526	\$579
IMGE1027	1.5	2	GD90S	3	24	12.5	\$582	\$641
IMGE1036	2.2	3	GD90L	4.12	24	14.5	\$691	\$761
IMGE1042	3	4	GD100L	5.3	28	24.3	\$901	\$992
IMGE1051	4	5.5	GD112M	7.3	28	29.4	\$1,180	\$1,298
IMGE1057	5.5	7.5	GD132S	10.19	38	45	\$1,471	\$1,619
IMGE1063	7.5	10	GD132S	12.6	38	45	\$1,639	\$1,803

## FOUR POLE - 1500RPM

Code	kW	Hp	Frame	Current (A)	Shaft (mm)	Approx. Weight (kg)	List Price	
							B3 Feet	B35 Feet + Flange (D) B34 Feet + Face (C)
IMGE1099	0.18	0.25	GD63	0.56	11	5	\$288	\$317
IMGE1102	0.25	0.33	GD71	0.72	14	6.5	\$342	\$377
IMGE1105	0.37	0.5	GD71	1	14	6.5	\$370	\$407
IMGE1111	0.55	0.75	GD80	1.43	19	9	\$476	\$524
IMGE1114	0.75	1	GD80	1.72	19	9	\$523	\$576
IMGE1117	1.1	1.5	GD90S	2.44	24	12.5	\$564	\$621
IMGE1123	1.5	2	GD90L	3.21	24	14.5	\$716	\$788
IMGE1129	2.2	3	GD100L	4.42	28	24.3	\$854	\$940
IMGE1132	3	4	GD100L	6.8	28	24.3	\$926	\$1,019
IMGE1138	4	5.5	GD112M	8.7	28	29.4	\$1,186	\$1,305
IMGE1144	5.5	7.5	GD132S	10.31	38	45	\$1,489	\$1,638
IMGE1147	7.5	10	GD132M	13.84	38	52	\$1,638	\$1,802

- AS/ANZS 1359.5:2006 compliant
- IP55 aluminium construction
- Standard class F insulation with class B-temp rise
- Multi-mount feet
- 230/400V, 50Hz up to 3kW
- 400/690V, 50Hz 4kW and above
- Continuous rated



## SIX POLE - 1000RPM

Code	kW	Hp	Frame	Current (A)	Shaft (mm)	Approx. Weight (kg)	List Price			
							B3 Feet	B35 Feet + Flange (D) B34 Feet + Face (C)		
IMGE1177	0.18	0.25	GD71	0.65	14	7	\$326	\$359		
IMGE1180	0.25	0.33	GD71	0.91	14	7	\$445	\$490		
IMGE1183	0.37	0.5	GD80	1.12	19	9	\$473	\$521		
IMGE1186	0.55	0.75	GD80	1.58	19	9	\$503	\$554		
IMGE1189	0.75	1	GD90S	1.92	24	13	\$576	\$634		
*	1.1	1.5	GD90L	Use ABB or Brook Crompton						
*	1.5	2	GD100L							
IMGE1198	2.2	3	GD112M	5.04	28	30	\$1,044	\$1,149		
IMGE1201	3	4	GD132S	7.3	38	45	\$1,339	\$1,473		
IMGE1204	4	5.5	GD132M	9.3	38	45	\$1,577	\$1,735		
IMGE1207	5.5	7.5	GD132M	11.56	38	50	\$1,812	\$1,994		

## EIGHT POLE - 750RPM

Code	kW	Hp	Frame	Current (A)	Shaft (mm)	Approx. Weight (kg)	List Price	
							B3 Feet	B35 Feet + Flange (D) B34 Feet + Face (C)
IMGE1231	0.25	0.33	GD80	1.2	19	9.3	\$599	\$659
IMGE1234	0.37	0.5	GD90S	1.63	24	12.5	\$651	\$717
IMGE1237	0.55	0.75	GD90L	2.3	24	14.5	\$724	\$797
IMGE1240	0.75	1	GD100L	2.64	28	24.5	\$757	\$833
IMGE1243	1.1	1.5	GD100L	3.7	28	25.4	\$849	\$934
IMGE1246	1.5	2	GD112M	4.4	28	29.8	\$1,114	\$1,226
IMGE1249	2.2	3	GD132S	5.9	38	50	\$1,457	\$1,603
IMGE1252	3	4	GD132M	7.8	38	52	\$1,811	\$1,993

- Rolled steel construction
- Imperial frame sizes
- Standard F class insulation
- Fixed foot (B3) or fixed foot + flange (B35)
- 230V, 50Hz



## TWO POLE - 3000RPM

Code	kW	Hp	RPM	Frame	Start Cap µF (275 VAC)	Run Cap µF (440 VAC)	Current (A)	Enclosure	Type	Shaft (in)	Approx. Weight (kg)	List Price	
												B3 Feet	B35 Feet + Flange (D)
NTE12018	0.18	0.25	2800	B56			2.2	TEFC	CSIR	5/8"	12	\$340	\$397
NTE12037	0.37	0.5	2800	B56			3.7	TEFC	CSIR	5/8"	15	\$403	\$460
NTE12055	0.55	0.75	2800	B56			5.2	TEFC	CSIR	5/8"	17	\$426	\$483
NTE12075	0.75	1	2800	B56			6.6	TEFC	CSCR	5/8"	19	\$454	\$510

NTE12170BSLH	1.7	2.3	2800	B56			9.5	TEFC	CSCR	3/4"	23	\$743	N/A
NTE12170BSRH	1.7	2.3	2800	B56			9.5	TEFC	CSCR	3/4"	23	\$743	N/A
NDP12220	2.2	3	2800	B56	200	30	9.5	DPFC	CSCR	3/4"	23	\$538	N/A

## FOUR POLE - 1500RPM

Code	kW	Hp	RPM	Frame	Start Cap µF (275 VAC)	Run Cap µF (VAC)	Current (A)	Enclosure	Type	Shaft (in)	Approx. Weight (kg)	List Price	
												B3 Feet	B35 Feet + Flange (D)
NTE14025	0.25	0.33	1425	B56		-	3	TEFC	CSIR	5/8"	13	\$339	\$396
NSP14025	0.25	0.33	1425	B56	-	-			-	5/8"		\$332	\$395
NDP14037	0.37	0.5	1425	B56	100	-		ODP	CSIR	5/8"		\$372	\$433
NTE14037	0.37	0.5	1425	B56		-	4	TEFC	CSIR	5/8"	14	\$415	\$476
NTE14055	0.55	0.75	1425	B56	120	-	5.6	TEFC	CSIR	5/8"	22	\$415	\$471
NTE14075	0.75	1	1425	B56			6	TEFC	CSCR	5/8"	22	\$470	\$532
NTE14110	1.1	1.5	1425	B56			6.4	TEFC	CSCR	5/8"	22	\$575	\$638

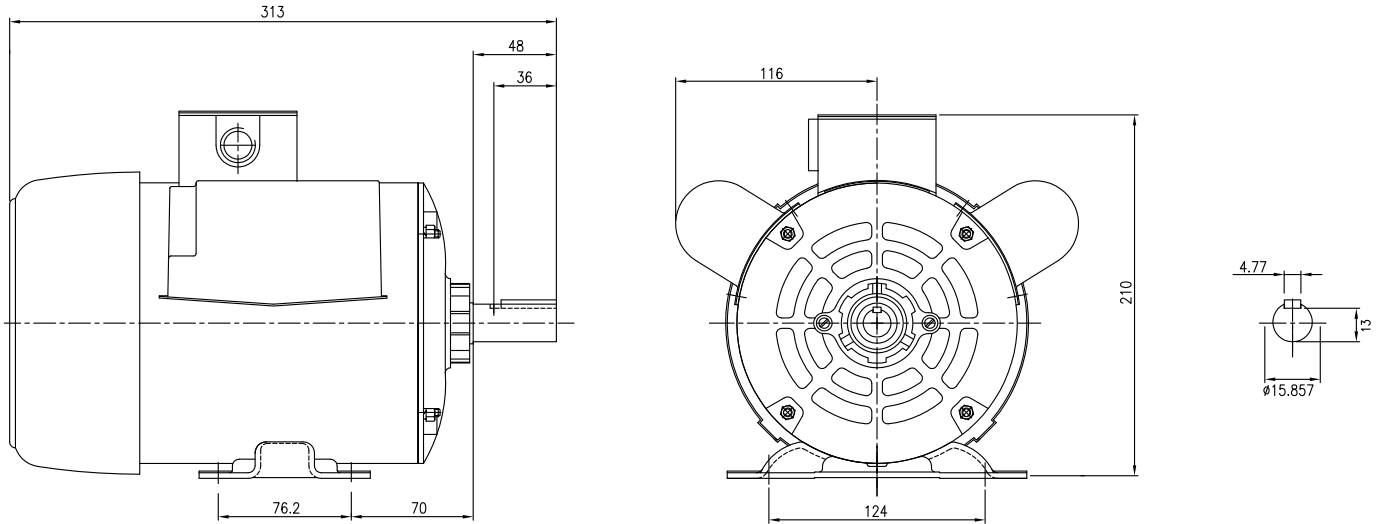
- Rolled steel construction
- Imperial frame sizes
- Standard F class insulation
- Fixed foot (B3) or fixed foot + flange (B35)
- 220/400V, 50Hz



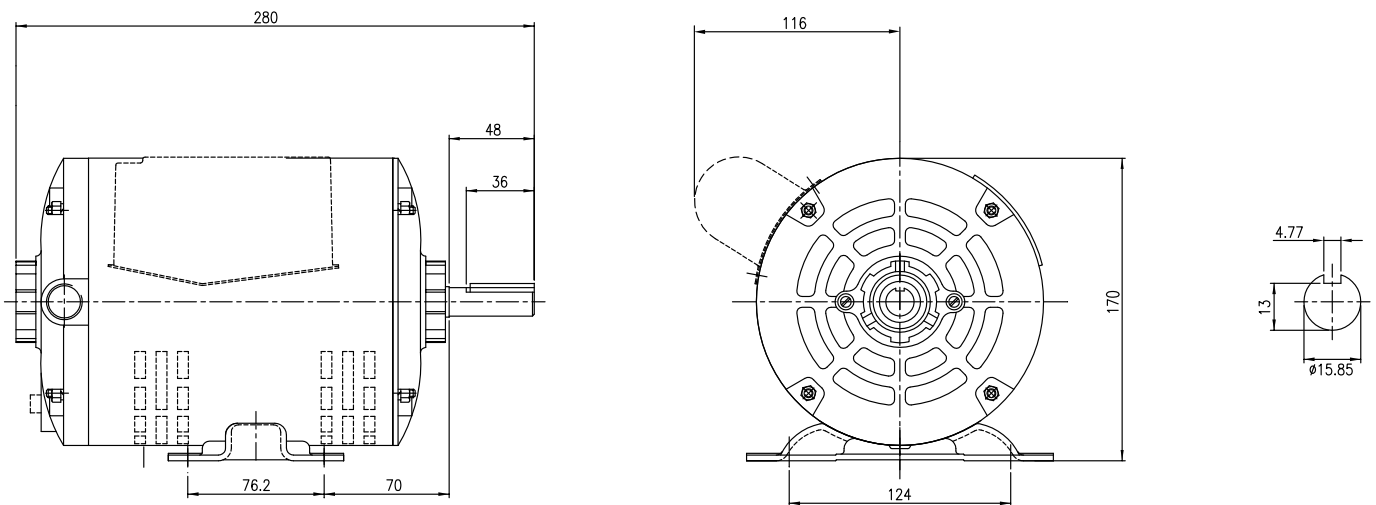
## FOUR POLE - 1500RPM

Code	kW	Hp	RPM	Frame	Current (A)	Enclosure	Shaft (in)	Approx. Weight (kg)	List Price	
									B3 Feet	B35 Feet + Flange (D)
NTE34037	0.37	0.5	1425	B56	2.3	TEFC	5/8"	14	\$330	\$411
NTE34072	0.72	0.97	1425	B56	1.73	TEFC	5/8"	22	\$382	\$443

Enclosure - TEFC and DPFC



Enclosure - DP



\* diagrams not to scale, measurements are in mm

- Metric series
- IP55 aluminium construction
- IE1, thermal Class F
- Multi-mount feet
- Fan cover (cowl) steel zinc plated
- 230/400V, 50Hz



## TWO POLE - 3000RPM

Code	kW	Hp	RPM	Frame	Current (A)	Shaft (mm)	Approx. Weight (kg)	List Price	
								B3 Feet	B35 Feet + Flange (D) B34 Feet + Face (C) B5 Flange (D) B14A Face (C)
G1000	0.09	0.12	2765	M56	0.35	9	3.4	POA	POA
G1003	0.14	0.18	2830	M56	0.60	9	3.4	POA	POA
G1006	0.18	0.25	2810	M63	0.60	11	4.1	POA	POA
G1009	0.25	0.35	2840	M63	0.80	11	4.4	POA	POA
G1012	0.37	0.5	2820	M71	1.10	14	5.8	POA	POA
G1015	0.55	0.75	2800	M71	1.40	14	6.5	POA	POA

## FOUR POLE - 1500RPM

Code	kW	Hp	RPM	Frame	Current (A)	Shaft (mm)	Approx. Weight (kg)	List Price	
								B3 Feet	B35 Feet + Flange (D) B34 Feet + Face (C) B5 Flange (D) B14A Face (C)
G1090	0.09	0.12	1330	M56	0.48	9	4.1	POA	POA
G1093	0.10	0.14	1330	M56	0.5	9	3.2	POA	POA
G1095	0.12	0.17	1330	M63	0.53	11	3.6	POA	POA
G1096	0.14	0.19	1330	M63	0.52	11	4	POA	POA
G1099	0.18	0.25	1340	M63	0.7	11	4.6	POA	POA
G1101	0.25	0.35	1400	M63*	0.95	11	5	POA	POA
G1102	0.25	0.35	1400	M71	0.85	14	6	POA	POA
G1105	0.37	0.5	1380	M71	1.15	14	6.6	POA	POA
G1108	0.55	0.75	1330	M71*	1.6	14	7.7	POA	POA
G1111	0.55	0.75	1400	M80	1.5	19	8	POA	POA

\* non-standard frame size

- Metric series
- IP55 aluminium construction
- IE1, thermal Class F
- Multi-mount feet
- Fan cover (cowl) steel zinc plated
- 230/400V, 50Hz



## SIX POLE - 1000RPM

Code	kW	Hp	RPM	Frame	Current (A)	Shaft (mm)	Approx. Weight (kg)	List Price	
								B3 Feet	B35 Feet + Flange (D) B34 Feet + Face (C) B5 Flange (D) B14A Face (C)
G1174	0.12	0.17	850	M63	0.67	11	5	POA	POA
G1177	0.18	0.25	900	M71	0.85	14	6.6	POA	POA
G1180	0.25	0.35	90	M71	1.05	14	7.7	POA	POA
G1183	0.37	0.5	865	M80	1.25	19	8.3	POA	POA
G1186	0.55	0.75	870	M80	1.70	19	10	POA	POA

## EIGHT POLE - 750RPM

Code	kW	Hp	RPM	Frame	Current (A)	Shaft (mm)	Approx. Weight (kg)	List Price	
								B3 Feet	B35 Feet + Flange (D) B34 Feet + Face (C) B5 Flange (D) B14A Face (C)
G1225	0.14	0.18	670	M71	0.65	14	7.5	POA	POA
G1228	0.18	0.25	690	M80	0.95	19	8.7	POA	POA
G1231	0.25	0.35	670	M80	1.20	19	10	POA	POA
G1234	0.37	0.5	660	M90	1.50	24	12.6	POA	POA
G1237	0.55	0.75	610	M90	2.15	24	14.3	POA	POA

- Metric series
- Single and three phase
- Alternating current (AC)
- Reduced starting torque
- 230/400V, 50Hz



## FOUR POLE - 1500RPM SINGLE PHASE

Code	kW	Hp	Torque (Nm)	Frame	Shaft (mm)	Current (A)	Approx. Weight (kg)	List Price	
								B3 Feet	B35 Feet + Flange (D) B34 Feet + Face (C)
G1865	0.18	0.25		M63	11	1.7	8.5	POA	POA
G1866	0.25	0.35		M71	14	2	10.5	POA	POA
G1867	0.37	0.5		M71	14	3.2	12	POA	POA
G1868	0.55	0.75		M80	19	3.7	13	POA	POA

## FOUR POLE - 1500RPM THREE PHASE

Code	kW	Hp	Torque (Nm)	Frame	Shaft (mm)	Current (A)	Approx. Weight (kg)	List Price	
								B3 Feet	B35 Feet + Flange (D) B34 Feet + Face (C)
G1792	0.18	0.25	1.32	M63	11	0.71	5.7	POA	POA
G1794	0.37	0.5	2.57	M71	14	1.16	8	POA	POA
G1795	0.55	0.75	3.78	M80	19	1.5	10.5	POA	POA
G1796	0.75	1	5.01	M80	19	1.95	12	POA	POA
G1798	1.5	2	10.16	M90	24	3.9	16.9	POA	POA

## SIX POLE - 1000RPM THREE PHASE

Code	kW	Hp	Torque (Nm)	Frame	Shaft (mm)	Current (A)	Approx. Weight (kg)	List Price	
								B3 Feet	B35 Feet + Flange (D) B34 Feet + Face (C)
G1813	0.37	0.5	4.02	M80	19	1.23	10.5	POA	POA
G1814	0.55	0.75	6	M80	19	1.62	12.2	POA	POA

- Metric series (MMDSG)
- Capacitor start/capacitor run motors
- IP55 aluminium construction
- Multi-mount feet
- 230V, 50Hz



\* non-standard frame size

TWO POLE - 3000RPM											
Code	kW	Hp	RPM	Frame	Start Cap (µF)	Run Cap (µF)	Current (A)	Shaft (mm)	Approx. Weight (kg)	List Price	
										B3 Feet	B35 Feet + Flange (D) B34 Feet + Face (C)
G1700	0.37	0.5	2730	M71	63-80	12	3.2	14	7	POA	POA
G1701	0.55	0.75	2730	M71	63-80	16	4.3	14	8.3	POA	POA
G1702	0.75	1	2770	M80	63-80	20	5.1	19	10	POA	POA
G1703	1.1	1.5	2710	M80	80-100	25	7.1	19	11.8	POA	POA
G1704	1.5	2	2700	M80*	80-100	35	9.8	19	11.8	POA	POA
G1705	1.5	2	2750	M90	100-125	40	9	24	15	POA	POA
G1706	1.85	2.5	2750	M90	100-125	50	10.7	24	16.8	POA	POA
G1707	2.2	3	2740	M90	125-156	60	12.7	24	16.8	POA	POA
G1708	2.5	3.5	2850	M100	125-156	80	14.7	28	22.4	POA	POA
G1709	3	4		M100	130	60	19	28	25	POA	POA

FOUR POLE - 1500RPM											
Code	kW	Hp	RPM	Frame	Start Cap (µF)	Run Cap (µF)	Current (A)	Shaft (mm)	Approx. Weight (kg)	List Price	
										B3 Feet	B35 Feet + Flange (D) B34 Feet + Face (C)
G1716	0.18	0.25	1330	M63	20	10	1.7	11	4.7	POA	POA
G1718	0.25	0.35	1350	M71	63-80	16	3.0	14	7.21	POA	POA
G1720	0.37	0.5	1350	M71	63-80	16	3.2	14	8	POA	POA
G1721	0.55	0.75	1360	M80	63-80	16	3.7	19	9	POA	POA
G1722	0.75	1	1400	M80	63-80	20	5.3	19	10.4	POA	POA
G1723	1.1	1.5	1380	M90	80-100	35	6.7	24	13.4	POA	POA
G1724	1.5	2	1360	M90	100-125	45	9.3	24	16.2	POA	POA
G1725	1.8	2.5	1360	M90	100-125	55	12.1	24	18.2	POA	POA
G1726	1.8	2.5	1360	M100	100-125	55	12.2	28	21.5	POA	POA
G1727	2.2	3	1350	M100	125-156	70	13.0	28	24	POA	POA

SIX POLE - 1000RPM											
Code	kW	Hp	RPM	Frame	Start Cap (µF)	Run Cap (µF)	Current (A)	Shaft (mm)	Approx. Weight (kg)	List Price	
										B3 Feet	B35 Feet + Flange (D) B34 Feet + Face (C)
G1740	0.37	0.5	920	M80	63-80	16	3.3	19	10.3	POA	POA
G1741	0.55	0.75	910	M90	63-80	20	4.25	24	12.6	POA	POA
G1742	0.75	1	945	M90	80-100	25	5.8	24	14.9	POA	POA
G1743	1.1	1.5	930	M90*	80-100	35	8.3	24	17.4	POA	POA
G1744	1.1	1.5	935	M100	100-125	35	8.1	28	20.5	POA	POA
G1755	1.5	2	930	M100	100-125	50	10.6	28	21.8	POA	POA

- Metric series (MMSTD)
- Permanent split capacitor motors
- IP55 aluminium construction
- Multi-mount feet
- 230V, 50Hz



## TWO POLE - 3000RPM

Code	kW	Hp	RPM	Frame	Run Cap (µF)	Current (A)	Shaft (mm)	Approx. Weight (kg)	List Price	
									B3 Feet	B35 Feet + Flange (D) B34 Feet + Face (C)
G1534	0.09	0.12	2680	M56	8	0.9	9	3.3	POA	POA
G1537	0.11	0.15	2680	M56	6.3	1	9	3.3	POA	POA
G1540	0.18	0.25	2730	M63	8	1.6	11	4.4	POA	POA
G1543	0.25	0.35	2750	M63	10	2.2	11	4.6	POA	POA
G1546	0.37	0.5	2730	M71	12	3.2	14	6.6	POA	POA
G1549	0.55	0.75	2730	M71	16	4.3	14	7.7	POA	POA
G1552	0.75	1	2770	M80	20	5.1	19	10	POA	POA
G1555	1.1	1.5	2750	M80	25	7.1	19	11.4	POA	POA
G1557	1.5	2	2700	M80*	35	9.8	19	12.3	POA	POA
G1560	1.5	2	2750	M90	40	9	24	14.7	POA	POA
G1563	1.85	2.5	2780	M90	50	10.7	24	16.8	POA	POA
G1566	2.2	3	2740	M90	60	12.7	24	16.8	POA	POA
G1569	2.5	3.5	2850	M100	80	14.7	28	22	POA	POA
G1572	3	4	2850	M100	85	17.2	28	22	POA	POA

## FOUR POLE - 1500RPM

Code	kW	Hp	RPM	Frame	Run Cap (µF)	Current (A)	Shaft (mm)	Approx. Weight (kg)	List Price	
									B3 Feet	B35 Feet + Flange (D) B34 Feet + Face (C)
G1584	0.09	0.12	1350	M56	5	1.0	9	3.3	POA	POA
G1587	0.11	0.15	1350	M56	6	1.15	9	4	POA	POA
G1590	0.18	0.25	1400	M63	10	1.7	11	4.7	POA	POA
G1593	0.25	0.35	1330	M71	10	2	14	6.5	POA	POA
G1596	0.37	0.5	1350	M71	16	3.2	14	7.7	POA	POA
G1599	0.55	0.75	1360	M80	14	3.7	19	8.9	POA	POA
G1602	0.75	1	1400	M80	20	5.3	19	10.4	POA	POA
G1605*	1.1	1.5	1400	M80*	35	7.3	19	12	POA	POA
G1608	1.1	1.5	1380	M90	35	7.0	24	13.3	POA	POA
G1611	1.5	2	1360	M90	45	9.3	24	16.2	POA	POA
G1614*	1.85	2.5	1360	M90*	55	12.1	24	17.8	POA	POA
G1617	1.85	2.5	1360	M100	55	12.2	28	21.4	POA	POA
G1620	2.2	3	1350	M100	70	13.0	28	23.9	POA	POA

\* non-standard frame size

- Metric series (MMSTD)
- Permanent split capacitor motors
- IP55 aluminium construction
- Multi-mount feet
- 230V, 50Hz



## SIX POLE - 1000RPM

Code	kW	Hp	RPM	Frame	Run Cap (µF)	Current (A)	Shaft (mm)	Approx. Weight (kg)	List Price	
									B3 Feet	B35 Feet + Flange (D) B34 Feet + Face (C)
G1632	0.18	0.25	920	M71	8	1.8	14	7.7	POA	POA
G1635	0.25	0.35	940	M80	10	2.5	19	8.5	POA	POA
G1638	0.37	0.5	920	M80	16	3.2	19	10	POA	POA
G1641*	0.55	0.75	900	M80*	20	4.1	19	11.92	POA	POA
G1644	0.55	0.75	915	M90	20	4.25	24	12.2	POA	POA
G1647	0.75	1	945	M90	25	5.8	24	14.5	POA	POA
G1650*	1.1	1.5	930	M90*	40	8	24	17	POA	POA
G1653	1.1	1.5	935	M100	35	8.1	28	20	POA	POA
G1656	1.5	2	930	M100	50	10.6	28	21.3	POA	POA

\* Non-standard frame size

- Aluminium construction
- For use in hazardous areas
- Protection IP66, Ex d, Temperature Class T4
- Class insulation F
- Zone 1 & 2 for presence of gas, Zone 21 & 22 for the presence of dust
- Motors comply and are issued with ATEX 102
- Thermistors fitted in three phase ONLY
- 230/400V, 50Hz



## TWO POLE - 3000RPM

Code	kW	Hp	RPM	Frame	Current (A)	Shaft (mm)	Approx. Weight (kg)	List Price	
								B3 Feet	B35 Feet + Flange (D) B34 Feet + Face (C)
FLP1004	0.12	0.17	2850	56B	0.5	9	3.5	\$1,214	\$1,272
FLP1006	0.18	0.25	2825	63A	0.62	11	4	\$1,264	\$1,331
FLP1009	0.25	0.33	2750	63B	0.74	11	4	\$1,307	\$1,376
FLP1012	0.37	0.5	2850	71A	1	14	6	\$1,354	\$1,424
FLP1015	0.55	0.75	2840	71B	1.45	14	6.5	\$1,406	\$1,477
FLP1018	0.75	1	2870	80A	2	19	9	\$1,691	\$1,784
FLP1021	1.1	1.5	2840	80B	2.6	19	11	\$1,868	\$1,971
FLP1027	1.5	2	2850	90S	3.95	24	13	\$2,111	\$2,228
FLP1036	2.2	3	2870	90L	5.4	24	15	\$2,338	\$2,470
FLP1042	3	4	2900	100L	7.3	28	20	\$3,147	\$3,325
FLP1051	4	5.5	2900	112M	9.2	28	28	\$3,940	\$4,167
FLP1057	5.5	7.5	2810	132K	11.46	38	45	\$5,544	\$5,868
FLP1063	7.5	10	2920	132S	15.3	38	48	\$6,203	\$6,563
FLP1066	9.3	12.6	2930	132M	19	38	58	\$7,219	\$7,642
FLP1072	11	15	1940	132L	21.4	38	61	\$8,209	\$8,693

## FOUR POLE - 1500RPM

Code	kW	Hp	RPM	Frame	Current (A)	Shaft (mm)	Approx. Weight (kg)	List Price	
								B3 Feet	B35 Feet + Flange (D) B34 Feet + Face (C)
FLP1091	0.09	0.12	1450	56B	0.46	9	3.5	\$1,162	\$1,222
FLP1095	0.12	0.17	1420	63A	0.71	11	4	\$1,264	\$1,331
FLP1099	0.18	0.25	1380	63B	0.76	11	4	\$1,294	\$1,362
FLP1102	0.25	0.33	1400	71A	0.84	14	6.5	\$1,339	\$1,409
FLP1105	0.37	0.5	1410	71B	1.20	14	7	\$1,396	\$1,469
FLP1111	0.55	0.75	1430	80A	1.75	19	8	\$1,494	\$1,572
FLP1114	0.75	1	1410	80B	2.10	19	11	\$1,758	\$1,853
FLP1117	1.1	1.5	1420	90S	3.30	24	12	\$1,946	\$2,053
FLP1123	1.5	2	1400	90L	3.80	24	14	\$2,278	\$2,405
FLP1129	2.2	3	1435	100K	5.80	28	20	\$3,165	\$3,347
FLP1132	3	4	1425	100L	6.80	28	23	\$3,527	\$3,725
FLP1138	4	5.5	1450	112M	9.10	28	30	\$4,441	\$4,694
FLP1144	5.5	7.5	1450	132S	11.50	38	42	\$5,623	\$5,948
FLP1147	7.5	10	1450	132M	12.60	38	56	\$6,485	\$6,867
FLP1150	9.3	12.6	1430	132L	18.10	38	60	\$7,477	\$7,917

- Aluminium construction
- For use in hazardous areas
- Protection IP66, Ex d, Temperature Class T4
- Class insulation F
- Zone 1 & 2 for presence of gas, Zone 21 & 22 for the presence of dust
- Motors comply and are issued with ATEX 102
- Thermistors fitted in three phase ONLY
- 230V, 50Hz



## TWO POLE - 3000RPM

Code	kW	Hp	RPM	Frame	Capacitor (µF)	Current (A)	Shaft (mm)	Approx. Weight (kg)	List Price	
									B3 Feet	B35 Feet + Flange (D) B34 Feet + Face (C)
FLP1692	0.12	0.17	2880	56B	8	1.17	9	4.5	-	\$1,934
FLP1694	0.18	0.25	2870	63A	12.5	1.5	11	5.5	\$1,899	\$2,014
FLP1697	0.25	0.33	2800	63B	12.5	1.8	11	6	\$1,899	\$2,014
FLP1700	0.37	0.5	2860	71A	16	2.56	14	7.5	\$1,931	\$2,049
FLP1701	0.55	0.75	2840	71B	25	3.42	14	8	\$2,131	\$2,256
FLP1702	0.75	1	2860	80A	30	4.55	19	9.5	\$2,338	\$2,480
FLP1703	1.1	1.5	2820	80B	30	6.8	19	11	\$2,606	\$2,765
FLP1705	1.5	2	2810	90S	70	9.75	24	13	\$2,843	\$3,015
FLP1707	2.2	3	2815	90L	90	14.5	24	16	\$3,338	\$3,538
FLP1708	2.2	3	2710	100K	95	15	28	25	\$3,767	\$3,992
FLP1709	3	4	2815	100L	120	22	28	27	\$4,567	\$4,841
FLP1710	4	5.5		112M		26	28	40	\$5,529	\$5,860

## FOUR POLE - 1500RPM

Code	kW	Hp	RPM	Frame	Capacitor (µF)	Current (A)	Shaft (mm)	Approx. Weight (kg)	List Price	
									B3 Feet	B35 Feet + Flange (D) B34 Feet + Face (C)
FLP1712	0.09	0.12	1420	56B	6.3	0.8	9	5	-	\$1,851
FLP1714	0.12	0.17	1380	63A	8	1.06	11	5	\$1,823	\$1,931
FLP1716	0.18	0.25	1355	63B	10	1.38	11	5.5	\$1,899	\$2,014
FLP1718	0.25	0.33	1450	71A	16	2	14	8	\$1,976	\$2,094
FLP1720	0.37	0.5	1430	71B	20	2.55	14	8.5	\$2,131	\$2,256
FLP1721	0.55	0.75	1440	80A	25	3.7	19	10	\$2,289	\$2,426
FLP1722	0.75	1	1410	80B	30	4.74	19	12	\$2,478	\$2,625
FLP1723	1.1	1.5	1440	90S	40	7.4	24	15	\$2,735	\$2,898
FLP1724	1.5	2	1430	90L	45	9.6	24	18	\$3,217	\$3,410
FLP1727	2.2	3	1430	100K	55	15.6	28	25	\$3,855	\$4,029
FLP1728	3	4	1410	112M	70	20	28	37	\$4,666	\$4,946

Note: single phase motors are suitable ONLY as fan drives and CAN NOT be speed controlled

- Aluminium construction
- For use in hazardous areas
- Protection IP66, Ex d, Temperature Class T4
- Class insulation F
- Zone 1 & 2 for presence of gas, Zone 21 & 22 for the presence of dust
- Motors comply and are issued with ATEX 102
- Thermistors fitted in three phase ONLY
- 230, 50Hz



## TWO POLE - 3000RPM \*

Code	kW	Hp	RPM	Frame	Run Cap (µF)	Current (A)	Shaft (mm)	Approx. Weight (kg)	List Price	
									B3 Feet	B35 Feet + Flange (D) B34 Feet + Face (C)
FLP1538	0.12	0.17	2770	56B	4	1.17	9	4.5	-	\$1,778
FLP1540	0.18	0.25	2870	63A	12.5	1.5	11	5.5	\$1,686	\$1,778
FLP1543	0.25	0.33	2780	63B	12.5	1.8	11	6	\$1,686	\$1,778
FLP1546	0.37	0.5	2860	71A	16	2.56	14	7.5	\$1,713	\$1,789
FLP1549	0.55	0.75	2840	71B	25	3.42	14	8	\$1,869	\$1,973
FLP1552	0.75	1	2860	80A	30	4.55	19	9.5	\$2,038	\$2,148
FLP1555	1.1	1.5	2880	80B	50	6.6	19	11	\$2,251	\$2,378
FLP1560	1.5	2	2810	90S	70	9.75	24	13	\$2,441	\$2,578
FLP1566	2.2	3	2720	90L	90	13.9	24	15	\$2,836	\$3,050
FLP1569	2.2	3	2850	100M	100	15	28	25	\$3,180	\$3,360
FLP1572	3	4	2850	100LB	110	22	28	27	\$3,820	\$4,039

## FOUR POLE - 1500RPM \*

Code	kW	Hp	RPM	Frame	Run Cap (µF)	Current (A)	Shaft (mm)	Approx. Weight (kg)	List Price	
									B3 Feet	B35 Feet + Flange (D) B34 Feet + Face (C)
FLP1585	0.09	0.12	1420	56B	6.5	0.80	9	5	-	\$1,711
FLP1587	0.12	0.17	1380	63A	8	1.07	11	5	\$1,624	\$1,713
FLP1590	0.18	0.25	1360	63B	10	1.38	11	5.5	\$1,686	\$1,778
FLP1593	0.25	0.33	1450	71A	16	2.00	14	8	\$1,748	\$1,844
FLP1596	0.37	0.5	1430	71B	20	2.55	14	8.5	\$1,869	\$1,973
FLP1599	0.55	0.75	1140	80A	25	3.70	19	10	\$1,998	\$2,131
FLP1602	0.75	1	1410	80B	30	4.74	19	12	\$2,146	\$2,266
FLP1608	1.1	1.5	1140	90S	40	7.60	24	15	\$2,353	\$2,485
FLP1611	1.5	2	1430	90L	45	9.60	24	18	\$2,740	\$2,895
FLP1620	2.2	3	1415	100M	45	15.60	28	25	\$3,503	\$3,704
FLP1623	3	4	1430	112M	70	20.00	28	37	\$3,900	\$4,125

\* Capacitors supplied loose AND require additional Ex-d housing

Note: single phase motors are suitable ONLY as fan drives and CAN NOT be speed controlled

- Three phase
- 304 grade stainless steel construction
- B5(D) or B14(C) flange options
- 50Hz
- Class F insulation



TWO POLE - 3000RPM								
Code	kW	Hp	RPM	Frame	Current (A)	Shaft (mm)	Approx. Weight (kg)	List Price
								B35 Feet + Flange (D) B34 Feet + Face (C)
RSS1021	1.1	1.5	2800	80B		19		\$1,350
RSS1027	1.5	2	2800	90S		24		\$1,657
RSS1036	2.2	3	2800	90L		24		\$1,691
RSS1063	7.5	10	2800	132M		38		\$4,637
RSS1067	9.2	12.5	2800	132		38		\$6,831

FOUR POLE - 1500RPM								
Code	kW	Hp	RPM	Frame	Current (A)	Shaft (mm)	Approx. Weight (kg)	List Price
								B35 Feet + Flange (D) B34 Feet + Face (C)
RSS1099	0.18	0.2	1400	63		11		\$756
RSS1102	0.25	0.3	1395	71A		14		\$941
RSS1105	0.37	0.5	1399	71B		14		\$993
RSS1114	0.75	1	1450	80L		19	22.5	\$1,241
RSS1117	1.1	1.5	1450	90S		24	19.75	\$1,620
RSS1123	1.5	2	1450	90L		24	25.8	\$1,560
RSS1130	2.2	2.9	1450	100S		28	39.7	\$2,670
RSS1132	3	4	1450	100L		28	47.1	\$2,753
RSS1138	4	5.4	1450	112L		28	51	\$3,397
RSS1147	7.5	10	1450	132L		38	77.85	\$4,737

- Reduced frame motors
- Light weight die cast aluminium alloy frame
- Flange mounted
- Removable feet
- IE2, IP55, Class F insulation
- 400V, 50Hz
- Cast iron available in frame sizes 160 to 355 only



## TWO POLE - 3000RPM

Code	kW	Hp	RPM	Frame	Current (A)	Shaft (mm)	Approx. Weight (kg)	List Price	
								B3 Feet	B35 Feet + Flange (D) B34 Feet + Face (C)
RMP1025	1.5	2	2840	80C	3.2	19	11	\$564	\$594
RMP1045	3.7	5	2880	100L	7.1	28	27	\$971	\$1,022
RMP1054	5.5	7.5	2870	112M	10.1	28	40	\$1,357	\$1,429
RMP1067	9.3	12.5	2930	132M	16.95	38	110	\$1,739	\$1,831
RMP1070	11	15	2900	132M	19.1	38	120	\$2,225	\$2,342

## FOUR POLE - 1500RPM

Code	kW	Hp	RPM	Frame	Current (A)	Shaft (mm)	Approx. Weight (kg)	List Price	
								B3 Feet	B35 Feet + Flange (D) B34 Feet + Face (C)
RMP1117	1.1	1.5	1390	80C	2.75	19	14	\$564	\$594
RMP1141	5.1	6.83	1445	112M	9.85	28	45	\$1,318	\$1,387
RMP1151	9.3	12.5	1440	132M	17.2	38	118	\$2,243	\$2,362
RMP1154	11	15	1460	132M	21.3	38	118	\$2,536	\$2,669



# VIBRATOR MOTORS, FLOW AIDS + AERATORS

Three Phase, Single Phase, Stainless Steel, DC, Micro, Pneumatic, Flowaids, Aerators.

- ATEX zone 22 & 21
- Class II Div.2
- Temperature range -20/+40 °C
- II 2 D Ex tb IIIC Tx Db IP66
- Equipment and protective system intended for use in potentially explosive atmospheres (Zone 21) - Directive 2014/34/UE
- Compliance with Essential Health and Safety Requirements
- IEC 60034-1, IEC EN 60079-0, IEC EN 60079-31



## TWO POLE - 3000 RPM

Code	Size	Mechanical Features			Electrical Features		Certificate		Dimension Figure	List Price	Italvibras Conversion Guide
		Working Moment * (kgcm)	FC (kg)	Approx. Weight (kg)	kW	Standard Nominal Current 50 Hz (400V)	Class II Div .2 Temp. Class	ExII 2D (°C) Temp. Class			
VIOLIMVE 60/3E	10A0	1.3	66	4.2	0.09	0.25	T4	100	A1	\$515	MVSI 3/100
VIOLIMVE 100/3E	10A0	2.0	98	5	0.09	0.25	T4	100	A1	\$580	MVSI 3/100
VIOLIMVE 200/3E	20A0	3.7	187	7	0.15	0.35	T4	100	B1	\$708	MVSI 3/200
VIOLIMVE 300/3E	30A0	6.4	321	10	0.25	0.52	T4	100	C1	\$927	MVSI 3/300
VIOLIMVE 400/3E	30A0	8.0	407	10.3	0.27	0.58	T4	100	C1	\$1,069	MVSI 3/300
VIOLIMVE 500/3E	40A0	10.3	530	16	0.5	0.96	T4	135	D1	\$1,249	MVSI 3/500
VIOLIMVE 700/3E	40A0	14.9	758	16.5	0.59	1.25	T4	135	D1	\$1,404	MVSI 3/700
VIOLIMVE 800/3E	50A0	15.7	794	20	0.7	1.45	T4	135	D1	\$1,778	MVSI 3/800
VIOLIMVE 1200/3E	50A0	20.3	1005	21.3	0.95	1.85	T4	135	D1	\$2,087	MVSI 3/1100
VIOLIMVE 1300/3E	50A0	26.6	1355	22	1.3	2.44	T4	135	D1	\$2,164	MVSI 3/1100
VIOLIMVE 1600/3E	60A0	31.3	1601	51	1.54	2.94	T4	135	D1	\$2,705	MVSI 3/1600
VIOLIMVE 2000/3E	60A0	36.8	2027	52	2.1	3.75	T4	135	D1	\$3,194	MVSI 3/2010
VIOLIMVE 2300/3E	60A0	46.0	2302	53	2.4	4.44	T4	135	D1	\$3,838	MVSI 3/2310
VIOLIMVE 3200/3E	75A1	68.1	3252	103	2.76	5.3	T4	135	D1	POA	MVSI 3/3200
VIOLIMVE 4000/3E	75A1	79.4	4033	107	2.9	5.3	T4	135	D1	POA	MVSI 3/4000

\* Working moment = 2x static moment

### Figure Dimension Drawings

Scan the below QR code for the dimension drawings



## LOOKING TO REPLACE AN ITALVIBRAS?

OLI vibrators will replace Italvibras easily \*\*, simply use the Italvibras type (product) code to find the equivalent OLI vibrator. Some examples are below. Confirm foot print and power matches on every conversion

Italvibras Type	OLI Type
MVSI 3/300	MVE 300/3
MVSI 3/1600	MVE 1600/3

- ATEX zone 22 & 21
- Class II Div.2
- Temperature range -20/+40 °C
- II2D Ex tb IIIC Tx Db IP66
- Equipment and protective system intended for use in potentially explosive atmospheres (Zone 21) - Directive 2014/34/UE
- Compliance with Essential Health and Safety Requirements
- IEC 60034-1, IEC EN 60079-0, IEC EN 60079-31



## FOUR POLE - 1500 RPM

Code	Size	Mechanical Features			Electrical Features		Certificate		Dimension Figure	List Price	Italvibras Conversion Guide
		Working Moment * (kgcm)	FC (kg)	Approx. Weight (kg)	kW	Standard Nominal Current 50 Hz (400V)	Class II Div .2 Temp. Class	ExII 2D (°C) Temp. Class			
VIOLIMVE 40/15E	10A0	2.0	25	4.6	0.05	0.31	T4	100	A	\$644	MVSI 15/35
VIOLIMVE 90/15E	20A0	6.0	75	7.4	0.07	0.31	T4	100	B	\$876	MVSI 15/80
VIOLIMVE 200/15E	30A0	15.4	194	11.8	0.12	0.49	T4	100	C	\$1,107	MVSI 15/200
VIOLIMVE 400/15E	40A0	33.4	420	19.5	0.27	0.84	T4	135	D1	\$1,352	MVSI 15/400
VIOLIMVE 500/15E	40A0	40.1	504	21	0.35	1.06	T4	135	D1	\$1,559	MVSI 15/550
VIOLIMVE 300/15E	50A0	26.6	334	22	0.62	1.32	T4	135	D1	\$1,803	MVSI 15/700
VIOLIMVE 700/15E	50A0	56.8	714	27.4	0.62	1.32	T4	135	D1	\$2,087	MVSI 15/700
VIOLIMVE 1100/15E	51A0	88.7	1102	36	0.64	1.4	T4	135	D1	\$2,318	MVSI 15/1100
VIOLIMVE 1400/15E	60A0	108.6	1364	63.5	0.7	1.78	T4	135	D1	\$2,898	MVSI 15/1410
VIOLIMVE 1700/15E	60A0	137.3	1725	67.5	1.13	2.16	T4	135	D1	\$3,040	MVSI 15/1710
VIOLIMVE 2400/15E	60A0	187.7	2358	68	1.57	3.2	T4	135	D1	\$3,607	MVSI 15/2000
VIOLIMVE 2500/15E	70A0	203.5	2557	85	1.76	3.08	T4	135	D1	\$4,766	MVSI 15/2410
VIOLIMVE 3000/15E	70A0	248.7	3124	83.5	1.9	3.68	T4	135	D1	\$4,903	MVSI 15/3000
VIOLIMVE 3800/15E	75A0	306.7	3853	125	2.2	4.15	T4	135	D1	POA	MVSI 15/3810
VIOLIMVE 4300/15E	75A0	343.2	4312	136.5	2.5	4.5	T4	135	D1	POA	MVSI 15/4300
VIOLIMVE 5500/15E	80A0	437.4	5495	181	2.88	6.5	T4	135	D1	POA	MVSI 15/6000

\* Working moment = 2x static moment

### Figure Dimension Drawings

Scan the below QR code for the dimension drawings



## LOOKING TO REPLACE A ITALVIBRAS?

OLI vibrators will replace Italvibras easily \*\*, simply use the Italvibras type (product) code to find the equivalent OLI vibrator. Some examples are below. Confirm foot print and power matches on every conversion

Italvibras Type	OLI Type
MVSI 15/200	MVE 200/15
MVSI 15/1100	MVE 1100/15

- ATEX zone 22 & 21
- Class II Div.2
- Temperature range -20/+40 °C
- II2D Ex tb IIIC Tx Db IP66
- Equipment and protective system intended for use in potentially explosive atmospheres (Zone 21) - Directive 2014/34/UE
- Compliance with Essential Health and Safety Requirements
- IEC 60034-1, IEC EN 60079-0, IEC EN 60079-31



## SIX POLE - 1000RPM

Code	Size	Mechanical Features			Electrical Features		Certificate		Dimension Figure	List Price	Italvibras Conversion Guide
		Working Moment * (kgcm)	FC (kg)	Approx. Weight (kg)	kW	Standard Nominal Current 50 Hz (400V)	Class II Div .2 Temp. Class	Ex II 2D (°C) Temp. Class			
VIOLIMVE 50/1E	30A0	9.5	53	10.4	0.12	0.3	T4	100	C	\$1,159	MVSI 10/40
VIOLIMVE 100/1E	30A0	18.8	105	11	0.12	0.3	T4	100	C	\$1,237	MVSI 10/100
VIOLIMVE 200/1E	40A0	33.5	187	18.8	0.15	0.65	T4	135	D1	\$1,455	MVSI 10/200
VIOLIMVE 300/1E	50A0	56.9	318	26	0.25	0.67	T4	135	D1	\$1,996	MVSI 10/310
VIOLIMVE 500/1E	50A0	91.9	513	33.7	0.55	1.22	T4	135	D1	\$2,357	MVSI 10/550
VIOLIMVE 800/1E	60A0	137.4	767	60	0.75	1.42	T4	135	D1	\$3,130	MVSI 10/810
VIOLIMVE 1100/1E	60A0	187.7	1048	78	0.75	1.42	T4	135	D1	\$3,388	MVSI 10/1110
VIOLIMVE 1500/1E	60A0	284.8	1590	84	0.9	1.8	T4	135	D1	\$3,684	MVSI 10/1400
VIOLIMVE 1600/1E	70A0	299.6	1673	90.2	0.9	2.4	T4	135	D1	\$4,212	MVSI 10/1610
VIOLIMVE 2100/1E	70A0	373.1	2083	105	1.5	3	T4	135	D1	\$5,152	MVSI 10/2100
VIOLIMVE 2600/1E	75A0	467.4	2610	148.6	1.96	4.1	T4	135	D1	\$6,402	MVSI 10/2610
VIOLIMVE 3000/1E	75A0	540.3	3017	149	2.2	4.5	T4	135	D1	\$7,677	MVSI 10/3000
VIOLIMVE 3800/1E	80A0	680.4	3799	215.6	2.5	5.5	T4	135	D1	POA	MVSI 10/3810
VIOLIMVE 4700/1E	80A0	838.3	4681	220	3.2	6.5	T4	135	D1	POA	MVSI 10/4700
VIOLIMVE 5200/1E	85A0	929.9	5192	263.8	3.8	6.92	T4	135	D1	POA	MVSI 10/5200
VIOLIMVE 6500/1E	85A0	1165.2	6506	288	4.3	7.76	T4	135	D1	POA	MVSI 10/6500

\* Working moment = 2x static moment

### Figure Dimension Drawings

Scan the below QR code for the dimension drawings



### LOOKING TO REPLACE A ITALVIBRAS?


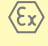
OLI vibrators will replace Italvibras easily \*\*, simply use the Italvibras type (product) code to find the equivalent OLI vibrator. Some examples are below. Confirm foot print and power matches on every conversion

Italvibras Type	OLI Type
MVSI 10/100	MVE 100/1
MVSI 10/2100	MVE 2100/1

- ATEX zone 22 & 21
- Class II Div.2
- Temperature range -20/+40 °C
- II2 D Ex tb IIIC Tx Db IP66
- Equipment and protective system intended for use in potentially explosive atmospheres (Zone 21) - Directive 2014/34/UE
- Compliance with Essential Health and Safety Requirements
- IEC 60034-1, IEC EN 60079-0, IEC EN 60079-31



## TWO POLE - 3000RPM - SINGLE PHASE

Code	Size	Mechanical Features			Electrical Features			Certificate		Dimension Figure	List Price
		Working Moment * (kgcm)	FC (kg)	Approx. Weight (kg)	kW	Nominal Current A max 50 Hz (230V)	Capacitor µf (230V)	 Class II Div. 2 Temp. Class	 ExII 2D (°C) Temp. Class		
VIOLIMVE 60/3M	10A0	1.3	66	4.2	0.08	0.43	3	T4	100	A1	\$515
VIOLIMVE 100/3M	10A0	2	98	4.6	0.1	0.54	4	T4	100	A1	\$670
VIOLIMVE 200/3M	20A0	3.7	187	7	0.18	1.14	8	T4	100	B1	\$799
VIOLIMVE 300/3M	30A0	6.4	321	9.8	0.27	1.58	12.5	T4	100	C1	\$1,018

\* Working moment = 2x static moment

### Figure Dimension Drawings

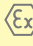
Scan the below QR code for the dimension drawings



- ATEX zone 22
- Temperature range -20/+40 °C
- II3D Ex tc IIIC Tx IP66
- Three phase
- Equipment and protective system intended for use in potentially explosive atmospheres (Zone 22) - Directive 2014/34/UE
- Compliance with Essential Health and Safety Requirements
- EN 60079-0, EN 60079-31



## STAINLESS STEEL

Code	Size	RPM	Pole	Mechanical Features			Electrical Features		Certificate  ExII 2D (°C) Temp. Class	Dimension Figure	List Price	Italvibras Conversion Guide
				Working Moment * (kgcm)	FC (kg)	Approx. Weight (kg)	kW	Standard Nominal Current A 50 Hz (400V)				
VIOLIMVE300/3N-SS	30A0	3000	2	6.4	321	16	0.25	0.52	100	P	\$2,163	MVSS 15/200
VIOLIMVE200/15N-SS	30A0	1500	4	15.4	194	18.5	0.12	0.49	100	P	2685	MVSS 3/301

### Figure Dimension Drawings

Scan the below QR code for the dimension drawings



## LOOKING TO REPLACE AN ITALVIBRAS?

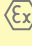
OLI vibrators will replace Italvibras easily \*\*, simply use the Italvibras type (product) code to find the equivalent OLI vibrator. Some examples are below. Confirm foot print and power matches on every conversion

Italvibras Type	OLI Type
MVSS 3/300	MVE 300/3N-SS
MVSS 15/200	MVE 200/15N-SS

- ATEX zone 22
- Class II Div.3
- Temperature range -20/+40 °C
- II3D Ex tc IIIC T100 IP66
- Equipment and protective system intended for use in potentially explosive atmospheres (Zone 22) - Directive 2014/34/UE
- Compliance with Essential Health and Safety Requirements
- EN 60079-0, EN60079-31



## DC - TWO POLE - 3000RPM

Code	Size	RPM	Mechanical Features			Electrical Features		Certificate	Dimension Figure	List Price
			Working Moment * (kgcm)	FC (kg)	Approx. Weight (kg)	kW	Nominal Current A max 50 Hz (400V)	 II 3D (°C) Temp. Class		
VIOLIMVE 50 DC 12	10A0	3000	1.0	50	4.4	0.08	6.6	100	A	\$1,009
VIOLIMVE 50 DC 24	10A0	3000	1.0	50	4.4	0.08	3.3	100	A	\$1,009
VIOLIMVE 202 DC 12	23A0	3000	4.2	200	7.2	0.16	13.3	100	G	\$1,373
VIOLIMVE 202 DC 24	23A0	3000	4.2	200	7.2	0.16	6.7	100	G	\$1,373

\* Working moment = 2x static moment

### Figure Dimension Drawings


Scan the below QR code for the dimension drawings




- ATEX zone 22 & 21
- Class II Div.2
- Temperature range -20/+40 °C
- II2D Ex tb IIIC Tx Db IP66
- Equipment and protective system intended for use in potentially explosive atmospheres (Zone 21) - Directive 2014/34/UE
- Compliance with Essential Health and Safety Requirements
- IEC 60034-1, IEC EN 60079-0, IEC EN 60079-31



## MICRO - SINGLE PHASE

Code	Size	Mechanical Features			Electrical Features		Certificate	Dimension Figure	List Price
		Working Moment * (kgcm)	FC (kg)	Approx. Weight (kg)	kW	Nominal Current A max 50 Hz (400V)	 II 3D (°C) Temp. Class		
VIOLIMICRO 03/3 M	Micro	0.1	4	1.4	0.03	0.30	100	F	\$477
VIOLIMICRO 06/3 M	Micro	0.1	6	1.4	0.03	0.30	100	I	\$541
VIOLIMICRO 21/3 M	Micro	0.4	20	1.5	0.04	0.20	100	F	\$541
VIOLIMICRO 41/3 M	Micro	0.9	45	1.7	0.05	0.25	100	F	\$567

## MICRO - THREE PHASE

Code	Size	Mechanical Features			Electrical Features		Certificate	Dimension Figure	List Price
		Working Moment * (kgcm)	FC (kg)	Approx. Weight (kg)	kW	Nominal Current A max 50 Hz (400V)	 II 3D (°C) Temp. Class		
VIOLIMICRO 21/3	Micro	0.4	20	1.5	0.04	0.21	100	F	\$541
VIOLIMICRO 41/3	Micro	0.9	45	1.7	0.06	0.3	100	F	\$541

\* Working moment = 2x static moment

### Figure Dimension Drawings

Scan the below QR code for the dimension drawings



- External application on silos, hoppers, piping, chutes, concrete compaction (OR vibrator only)
- OR vibrators are suitable for hygroscopic powders; cement, concrete, sand
- OT vibrators are suitable for food powders; sugar, bicarbonate, phosphate, sodium.

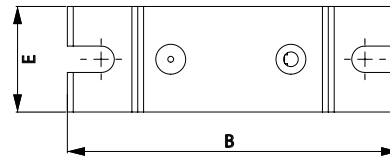
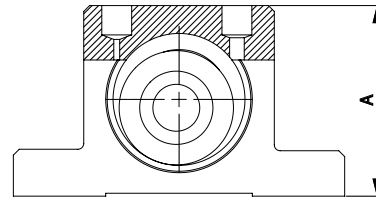


## FLOW AIDS - PNEUMATIC ROTARY VIBRATORS - ROLLER

Code	Type	Vibration (Vpm) 2 to 6 bar (29 to 87 psi)	Centrifugal Force Max (kg) 3 to 6 bar (29 to 87 psi)	Air Consumption (l/min) 4 to 6 bar (29 to 87 psi)	Dimensions (mm)			Inlet Outlet (inch)	Approx. Weight (kg)	List Price
					A	B	E			
VIOLIOR50S	Roller	21,000 to 29,500	188 to 355	79 to 204	50	86	30	1/8 BSP	0.37	\$642

### TECHNICAL DATA

Type	Pneumatic rotary
Application	Hopper and silo, piping, chute, concrete compaction
Powder	Hygroscopic
Solves	Bridging and rat holing, friction reduction, separation
Duty Cycle	Discontinuous
Working Pressure	2 to 6 bar (29 to 87 psi)
Working Temperature	-20 to 200 °C

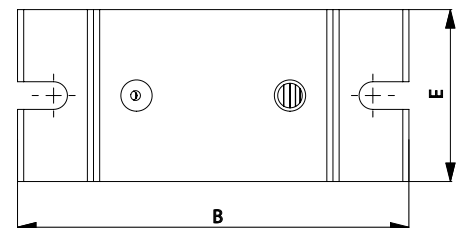
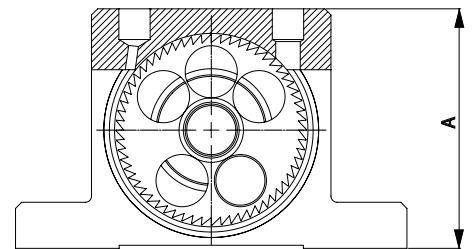


## FLOW AIDS - PNEUMATIC ROTARY VIBRATORS - TURBINE

Code	Type	Vibration (Vpm) 2 to 6 bar (29 to 87 psi)	Centrifugal Force Max (kg) 3 to 6 bar (29 to 87 psi)	Air Consumption (l/min) 4 to 6 bar (29 to 87 psi)	Dimensions (mm)			Inlet Outlet (inch)	Approx. Weight (kg)	List Price
					A	B	E			
VIOLIOT10S	Turbine	17,200 to 26,000	72 to 187	45 to 110	50	86	33	1/8 BSP	0.26	\$642
VIOLIOT36S	Turbine	6,000 to 8,500	406 to 754	322 to 749	100	160	73	3/8 BSP	2.53	\$1,042

### TECHNICAL DATA

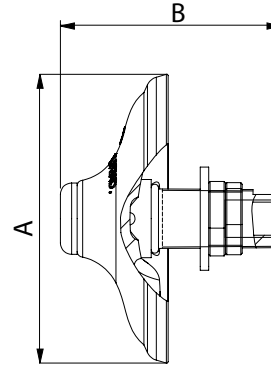
Type	Pneumatic rotary
Application	Hopper and silo, vibrating table, chute, concrete consolidation
Powder	Dry and granular (food), concrete
Solves	Bridge and rat holing, friction reduction, separation, consolidation
Duty Cycle	Discontinuous
Working Pressure	2 to 6 bar (29 to 87 psi)
Working Temperature	-20 to 120 °C



- Internal application in silos, hoppers, pipes, dry bulk tanks
- Suitable for dry fine powders

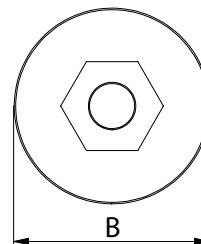
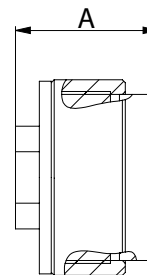


FLOW AIDS - AERATORS - VBSI			
Code	Dimensions (mm)		List Price
	A Ø	B	
VIOLIVBSI	104	79	\$226.00



TECHNICAL DATA	
Type	Aerator
Application	Silos, hoppers, pipes
Powder	Dry, fine granular powders
Solves	Bridging, rat holing
Duty Cycle	Continuous or discontinuous
Working Pressure	0.8 to 6 bar (12 to 87 psi)
Working Temperature	-40 to 170 °C
Materials	Stainless steel

FLOW AIDS - AERATORS - U			
Code	Dimensions (mm)		List Price
	A	B Ø	
VIOLIU060	48	66	\$193.32



TECHNICAL DATA	
Type	Fluidiser
Application	Hopper and silos - piping
Powder	Fine and dry powders
Solves	Bridging, rat holing
Duty Cycle	Continuous
Working Pressure	0.2 to 1 bar (2.9 to 14 psi)
Working Temperature	-20 to 80 °C
Materials	Ring carbon steel, Supralen PE filter, Polyamide body





- Compact machinery drive for a range of machinery applications
- Single or three phase
- Power range 0.37 to 22 kW
- Safe torque off (STO) SIL3
- Built in braking chopper
- Two analogue inputs; one analogue output, five digital inputs, one relay output, one digital output
- IP66 product variant



## ACS355 - SINGLE PHASE \*

Code	kW	Nominal Input Current (A)	Supply Volts (V)	Frame Size	List Price
ACS355-01E-02A4-2 + J400	0.37	2.4	200 - 240	R0	\$1,334
ACS355-01E-04A7-2 + J400	0.75	4.7	200 - 240	R1	\$1,582
ACS355-01E-06A7-2 + J400	1.1	6.7	200 - 240	R1	\$1,793
ACS355-01E-07A5-2 + J400	1.5	7.5	200 - 240	R2	\$1,919
ACS355-01E-09A8-2 + J400	2.2	9.8	200 - 240	R2	\$2,130

\* Single phase in/200-240V three phase out

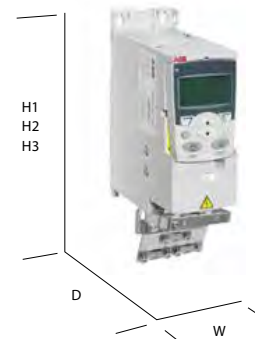
## ACS355 - THREE PHASE

Code	kW	Nominal Input Current (A)	Supply Volts (V)	Frame Size	List Price
ACS355-03E-01A2-4 + J400	0.37	1.2	380 - 480	R0	\$1,378
ACS355-03E-01A9-4 + J400	0.55	1.9	380 - 480	R0	\$1,428
ACS355-03E-02A4-4 + J400	0.75	2.4	380 - 480	R1	\$1,471
ACS355-03E-03A3-4 + J400	1.1	3	380 - 480	R1	\$1,597
ACS355-03E-04A1-4 + J400	1.5	4.1	380 - 480	R1	\$1,809
ACS355-03E-05A6-4 + J400	2.2	5.6	380 - 480	R1	\$1,930
ACS355-03E-07A3-4 + J400	3	7.3	380 - 480	R1	\$2,135
ACS355-03E-08A8-4 + J400	4	8.8	380 - 480	R1	\$2,396
ACS355-03E-12A5-4 + J400	5.5	13	380 - 480	R3	\$2,891
ACS355-03E-15A6-4 + J400	7.5	16	380 - 480	R3	\$3,324
ACS355-03E-23A1-4 + J400	11	23	380 - 480	R3	\$3,926
ACS355-03E-31A0-4 + J400	15	31	380 - 480	R4	\$4,840
ACS355-03E-38A0-4 + J400	18.5	38	380 - 480	R4	\$5,618
ACS355-03E-44A0-4 + J400	22	44	380 - 480	R4	\$6,703

- Compact machinery drive for a range of machinery applications
- Single or three phase
- Power range 0.37 to 22 kW
- Safe torque off (STO) SIL3
- Built in braking chopper
- Two analogue inputs; one analogue output, five digital inputs, one relay output, one digital output
- IP66 product variant



CABINET MOUNTED DIMENSIONS						
Frame Size	H1 (mm)	H2 (mm)	H3 (mm)	W (mm)	Approx. Weight (kg)	Weight (kg)
R0	169	202	239	70	161	1.2
R1	169	202	239	70	161	1.2
R2	169	202	239	105	165	1.5
R3	169	202	236	169	169	2.5
R4	181	202	244	260	169	4.4



H1 = Height without fastenings and clamping plate  
 H2 = Height with fastenings but without clamping plate  
 H3 = Height with fastenings and clamping plate

WALL MOUNTED DIMENSIONS					
Frame Size	H4 (mm)	H5 (mm)	W (mm)	D (mm)	Approx. Weight (kg)
R0	257	280	70	169	1.6
R1	257	280	70	169	1.6
R2	257	282	105	169	1.9
R3	260	299	169	177	3.1
R4	270	320	260	177	5



H4 = Height with fastenings and NEMA 1 connection box  
 H5 = Height with fastenings, NEMA 1 connection box and hood



- General purpose drive
- Three phase
- Power range 0.75 to 500 kW
- Safe torque off (STO) SIL 3
- Two analogue input; two analogue output, six digital inputs, three digital outputs
- IP21 and IP55 enclosure protection versions
- Scalar and vector control for process control
- Suitable for variable and constant torque applications

## ACS580 GENERAL PURPOSE IP21 - THREE PHASE

Code	kW	Nominal Input Current (A)	Supply Volts (V)	Frame Size	List Price
ACS580-01-02A7-4+J400	0.75	2.6	380 - 480	R1	\$1,587
ACS580-01-03A4-4+J400	1.1	3.3	380 - 480	R1	\$1,724
ACS580-01-04A1-4+J400	1.5	4	380 - 480	R1	\$2,021
ACS580-01-05A7-4+J400	2.2	5.6	380 - 480	R1	\$2,127
ACS580-01-07A3-4+J400	3	7.2	380 - 480	R1	\$2,311
ACS580-01-09A5-4+J400	4	9.4	380 - 480	R1	\$2,612
ACS580-01-12A7-4+J400	5.5	12.6	380 - 480	R1	\$3,049
ACS580-01-018A-4+J400	7.5	17	380 - 480	R2	\$3,526
ACS580-01-026A-4+J400	11	25	380 - 480	R2	\$4,707
ACS580-01-033A-4+J400	15	32	380 - 480	R3	\$5,986
ACS580-01-039A-4+J400	18.5	38	380 - 480	R3	\$6,900
ACS580-01-046A-4+J400	22	45	380 - 480	R3	\$7,953

## ACS580 IP21 DIMENSIONS

Frame Size	H1 (mm)	H2 (mm)	W (mm)	D (mm)	Approx. Weight (kg)
R1	403	333	125	223	4.6
R2	503	433	125	229	6.6
R3	490	490	203	229	11.8
R4	636	636	203	258	19
R5	732	596*	203	295	28.3
R6	727	548*	252	369	42.4
R7	880	600*	284	370	54
R8	965	680*	300	393	69
R9	955	680*	380	418	97



H1 = Total height of the drive with glandbox  
 H2 = Total height of the drive without glandbox

- General purpose drive
- Three phase
- Power range 0.75 to 500 kW
- Safe torque off (STO) SIL 3
- Two analogue input; two analogue output, six digital inputs, three digital outputs
- IP21 and IP55 enclosure protection versions
- Scalar and vector control for process control
- Suitable for variable and constant torque applications



## ACS580 GENERAL PURPOSE IP55 - THREE PHASE

Code	kW	Nominal Input Current (A)	Supply Volts (V)	Frame Size	List Price
ACS580-01-02A7-4+B056+J400	0.75	2.6	380 - 480	R1	\$1,805
ACS580-01-03A4-4+B056+J400	1.1	3.3	380 - 480	R1	\$1,932
ACS580-01-04A1-4+B056+J400	1.5	4	380 - 480	R1	\$2,226
ACS580-01-05A7-4+B056+J400	2.2	5.6	380 - 480	R1	\$2,334
ACS580-01-07A3-4+B056+J400	3	7.2	380 - 480	R1	\$2,528
ACS580-01-09A5-4+B056+J400	4	9.4	380 - 480	R1	\$2,830
ACS580-01-12A7-4+B056+J400	5.5	12.6	380 - 480	R1	\$3,396
ACS580-01-018A-4+B056+J400	7.5	17	380 - 480	R2	\$4,211
ACS580-01-026A-4+B056+J400	11	25	380 - 480	R2	\$5,008
ACS580-01-033A-4+B056+J400	15	32	380 - 480	R3	\$6,045
ACS580-01-039A-4+B056+J400	18.5	38	380 - 480	R3	\$7,186
ACS580-01-046A-4+B056+J400	22	45	380 - 480	R3	\$8,668

## ACS580 IP55 (option + B056) DIMENSIONS

Frame Size	H (mm)	W (mm)	D (mm)	Approx. Weight (kg)
R1	403	128	233	4.8
R2	503	128	239	6.8
R3	490	206	237	13
R4	636	203	265	20
R5	732	203	320	29
R6	727	252	380	43
R7	880	284	381	56
R8	965	300	452	77
R9	955	380	477	103



- Pump drive
- Three phase
- Power range 0.75 to 500 kW
- Safe torque off (STO) SIL 3
- Two analogue inputs, two analogue outputs, six digital inputs, three digital outputs
- IP21 and IP55 enclosure protection versions
- Suitable for pump applications



## ACQ580 WATER + WASTE WATER IP21

Code	kW	Nominal Input Current (A)	Supply Volts (V)	Frame Size	List Price
ACQ580-01-02A7-4+J400	0.75	2.6	380 - 480	R1	\$1,587
ACQ580-01-03A4-4+J400	1.1	3.3	380 - 480	R1	\$1,724
ACQ580-01-04A1-4+J400	1.5	4	380 - 480	R1	\$2,021
ACQ580-01-05A7-4+J400	2.2	5.6	380 - 480	R1	\$2,127
ACQ580-01-07A3-4+J400	3.0	7.2	380 - 480	R1	\$2,311
ACQ580-01-09A5-4+J400	4.0	9.4	380 - 480	R1	\$2,612
ACQ580-01-12A7-4+J400	5.5	12.6	380 - 480	R1	\$3,049
ACQ580-01-018A-4+J400	8	17	380 - 480	R2	\$3,526
ACQ580-01-026A-4+J400	11	25	380 - 480	R2	\$4,707
ACQ580-01-033A-4+J400	15	32	380 - 480	R3	\$5,986
ACQ580-01-039A-4+J400	19	38	380 - 480	R3	\$6,900
ACQ580-01-046A-4+J400	22	45	380 - 480	R3	\$7,954
ACQ580-01-062A-4+J400	30	62	380 - 480	R4	\$9,022
ACQ580-01-073A-4+J400	37	73	380 - 480	R4	\$10,422
ACQ580-01-088A-4+J400	45	88	380 - 480	R5	\$13,046
ACQ580-01-106A-4+J400	55	106	380 - 480	R5	\$15,055
ACQ580-01-145A-4+J400	75	145	380 - 480	R6	\$17,889
ACQ580-01-169A-4+J400	90	169	380 - 480	R7	\$21,182
ACQ580-01-206A-4+J400	110	206	380 - 480	R7	\$25,982
ACQ580-01-246A-4+J400	132	246	380 - 480	R8	\$29,747
ACQ580-01-293A-4+J400	160	293	380 - 480	R8	\$34,748
ACQ580-01-363A-4+J400	200	363	380 - 480	R9	\$41,606
ACQ580-01-430A-4+J400	250	430	380 - 480	R9	\$49,264

## ACQ580 IP21 DIMENSIONS

Frame Size	H (mm)	W (mm)	D (mm)	Approx. Weight (kg)
R1	373	125	223	4.6
R2	473	125	229	6.6
R3	490	203	229	11.8
R4	636	203	257	19
R5	732	203	295	28.3
R6	727	252	369	42.4
R7	880	284	370	54
R8	965	300	393	69
R9	955	380	418	97



- Pump drive
- Three phase
- Power range 0.75 to 500 kW
- Safe torque off (STO) SIL 3
- Two analogue inputs, two analogue outputs, six digital inputs, three digital outputs
- IP21 and IP55 enclosure protection versions
- Suitable for pump applications



## ACQ580 WATER + WASTE WATER IP55

Code	kW	Nominal Input Current (A)	Supply Volts (V)	Frame Size	List Price
ACQ580-01-02A7-4+B056+J400	0.75	2.6	380 - 480	R1	\$1,805
ACQ580-01-03A4-4+B056+J400	1.1	3.3	380 - 480	R1	\$1,932
ACQ580-01-04A1-4+B056+J400	1.5	4	380 - 480	R1	\$2,226
ACQ580-01-05A7-4+B056+J400	2.2	5.6	380 - 480	R1	\$2,334
ACQ580-01-07A3-4+B056+J400	3	7.2	380 - 480	R1	\$2,528
ACQ580-01-09A5-4+B056+J400	4	9.4	380 - 480	R1	\$2,830
ACQ580-01-12A7-4+B056+J400	5.5	12.6	380 - 480	R1	\$3,396
ACQ580-01-018A-4+B056+J400	7.5	17	380 - 480	R2	\$4,211
ACQ580-01-026A-4+B056+J400	11	25	380 - 480	R2	\$5,008
ACQ580-01-033A-4+B056+J400	15	32	380 - 480	R3	\$6,045
ACQ580-01-039A-4+B056+J400	18.5	38	380 - 480	R3	\$7,186
ACQ580-01-046A-4+B056+J400	22	45	380 - 480	R3	\$8,668
ACQ580-01-062A-4+B056+J400	30	62	380 - 480	R4	\$10,061
ACQ580-01-073A-4+B056+J400	37	73	380 - 480	R4	\$11,520
ACQ580-01-088A-4+B056+J400	45	88	380 - 480	R5	\$13,927
ACQ580-01-106A-4+B056+J400	55	106	380 - 480	R5	\$17,784
ACQ580-01-145A-4+B056+J400	75	145	380 - 480	R6	\$20,769
ACQ580-01-169A-4+B056+J400	90	169	380 - 480	R7	\$24,241
ACQ580-01-206A-4+B056+J400	110	206	380 - 480	R7	\$27,799
ACQ580-01-246A-4+B056+J400	132	246	380 - 480	R8	\$31,830
ACQ580-01-293A-4+B056+J400	160	293	380 - 480	R8	\$36,841
ACQ580-01-363A-4+B056+J400	200	363	380 - 480	R9	\$44,379
ACQ580-01-430A-4+B056+J400	250	430	380 - 480	R9	\$52,834

## ACQ580 IP55 DIMENSIONS

Frame Size	H (mm)	W (mm)	D (mm)	Approx. Weight (kg)
R1	403	128	233	4.8
R2	503	128	239	6.8
R3	490	206	237	13
R4	636	203	265	20
R5	732	203	320	29
R6	727	252	380	43
R7	880	284	381	56
R8	965	300	452	77
R9	955	380	477	103



- Micro drive
- Single or three phase
- Power range 0.37 to 4 kW
- One analogue input; five digital inputs
- IP21 enclosure protection
- Scalar and vector control for process control
- Suitable for variable and basic constant torque applications



## ACS150 - SINGLE PHASE \*

Code	kW	Nominal Input Current (A)	Supply Volts (V)	Frame Size	List Price
ACS150-01E-02A4-2	0.37	2.4	200 - 240	R0	\$850
ACS150-01E-04A7-2	0.75	4.7	200 - 240	R1	\$1,044
ACS150-01E-06A7-2	1.1	6.7	200 - 240	R1	\$1,227
ACS150-01E-07A5-2	1.5	7.5	200 - 240	R2	\$1,336
ACS150-01E-09A8-2	2.2	9.8	200 - 240	R2	\$1,506

\* Single phase in/200-240V three phase out

## ACS150 - THREE PHASE

Code	kW	Nominal Input Current (A)	Supply Volts (V)	Frame Size	List Price
ACS150-03E-01A2-4	0.37	1.2	380 - 480	R0	\$1,125
ACS150-03E-01A9-4	0.55	1.9	380 - 480	R0	\$1,180
ACS150-03E-02A4-4	0.75	2.4	380 - 480	R1	\$1,251
ACS150-03E-03A3-4	1.1	3.3	380 - 480	R1	\$1,431
ACS150-03E-04A1-4	1.5	4.1	380 - 480	R1	\$1,635
ACS150-03E-05A6-4	2.2	5.6	380 - 480	R1	\$1,758
ACS150-03E-07A3-4	3	7.3	380 - 480	R2	\$1,996
ACS150-03E-08A8-4	4	8.8	380 - 480	R1	\$2,268

## ACS150 CABINET MOUNTED DIMENSIONS

Frame Size	H1 (mm)	H2 (mm)	H3 (mm)	W (mm)	D (mm)	Approx. Weight (kg)
R0	169	202	239	70	142	1.1
R1	169	202	239	70	142	1.3
R2	169	202	239	105	142	1.5



H1 = Height without fastenings and clamping plate  
 H2 = Height with fastenings but without clamping plate  
 H3 = Height with fastenings and clamping plate

## ACS150 WALL MOUNTED DIMENSIONS

Frame Size	H4 (mm)	H5 (mm)	W (mm)	D (mm)	Approx. Weight (kg)
R0	257	280	70	142	1.5
R1	257	280	70	142	1.7
R2	257	282	105	142	1.9



H4 = Height with fastenings and NEMA 1 connection box  
 H5 = Height with fastenings, NEMA 1 connection box and hood

- Communication modules enable communication between drives, systems, devices and software
- Drives are compatible with a wide range of fieldbus protocols



## I/O EXTENSION MODULES

Code	Description	Drive Compatibility	List Price
+L538 BMIO-01	I/O & Modbus extension module	ACS380	\$144
+L515 BIO-01	I/O extension module	ACS380	\$120
+L511 BREL-01	External relay option	ACS380	\$218
+L534 BAPO-01	External 24 V DC	ACS380	\$114
+L535 BTAC-02	HTL encoder interface + External 24 V DC	ACS380	\$304

## FIELDBUS COMMUNICATION MODULES

Code	Description	Drive Compatibility	List Price
+K469 FECA-01	FECA-01 EtherCAT	ACS355, ACS380, ACS580, ACQ580	\$891
+K451 FDNA-01	FDNA-01 DeviceNet	ACS355, ACS380, ACS580, ACQ580	\$891
+K454 FPBA-01	FPBA-01 Profibus-DP	ACS355, ACS380, ACS580, ACQ580	\$603
+K457 FCAN-01	FCAN-01 CANopen	ACS355, ACS380, ACS580, ACQ580	\$402
+K470 FEPL-02	FEPL-02 Ethernet Powerlink	ACS355, ACS580	\$891
+K475 FENA-21	FENA-21 Ethernet	ACS355, ACS380, ACS580, ACQ580	\$1,509
+K490 FEIP-21	FEIP-21 EtherNet/IP Fieldbus	ACS380, ACS580, ACQ580	\$603
+K491 FMBT-21	FMBT-21 Modbus/TCP	ACS380, ACS580, ACQ580	\$603
+K492 FPNO-21	FPNO-21 PROFINET IO	ACS380, ACS580, ACQ580	\$891
+K495 BCAN-11	BCAN-11 CANopen	ACS380	\$152
+K458 FSQA-01	Modbus RTU Adapter	ACS355, ACS380, ACS580, ACQ580	\$403

- Three phase.
- Power range 0.75 to 630 kW.
- Frames A2 - K2 IP20, UL Type 1, wall mount, top cover, conduit box.
- 3 analogue inputs, 2 analogue outputs, 6 digital inputs, 2 relays.
- Ideal for variable torque equipment such as blowers, pumps, HVAC, water treatment and supply systems plus compressors.



## VP3000 SERIES (C3 CLASS) - THREE PHASE

Code	kW	Rated Input Current (A)	Input Voltage (V)	Frame Size	List Price
VFD007VP43	0.75	4.2	380 - 480	A2	\$1,924
VFD015VP43	1.5	5.9	380 - 480	A2	\$1,988
VFD022VP43	2.2	7.8	380 - 480	A2	\$2,158
VFD040VP43	4	15.4	380 - 480	A2	\$2,541
VFD055VP43	5.5	18.2	380 - 480	B2	\$2,558
VFD075VP43	7.5	25	380 - 480	B2	\$2,630
VFD110VP43	11	35	380 - 480	C2	\$3,019
VFD150VP43	15	45	380 - 480	C2	\$3,461
VFD185VP43	18.5	53	380 - 480	C2	\$4,236
VFD220VP43	22	45	380 - 480	D2	\$4,285
VFD300VP43	30	62	380 - 480	D2	\$4,898
VFD370VP43	37	73	380 - 480	E2	\$6,252
VFD450VP43	45	90	380 - 480	E2	\$8,238
VFD550VP43	55	110	380 - 480	F2	\$9,916
VFD750VP43	75	150	380 - 480	G2	\$11,014
VFD900VP43	90	180	380 - 480	H2	\$15,691
VFD1100VP43	110	220	380 - 480	H2	\$16,409

## VP3000 SERIES (C2 CLASS) - THREE PHASE

Code	kW	Rated Input Current (A)	Input Voltage (V)	Frame Size	List Price
VFD220VP43	22	45	380 - 480	D2	\$4,751
VFD300VP43	30	62	380 - 480	D2	\$5,504
VFD370VP43	37	73	380 - 480	E2	\$6,969
VFD450VP43	45	90	380 - 480	E2	\$9,064
VFD550VP43	55	110	380 - 480	F2	\$10,912
VFD750VP43	75	150	380 - 480	G2	\$12,117
VFD900VP43	90	180	380 - 480	H2	\$17,265
VFD1100VP43	110	220	380 - 480	H2	\$18,046

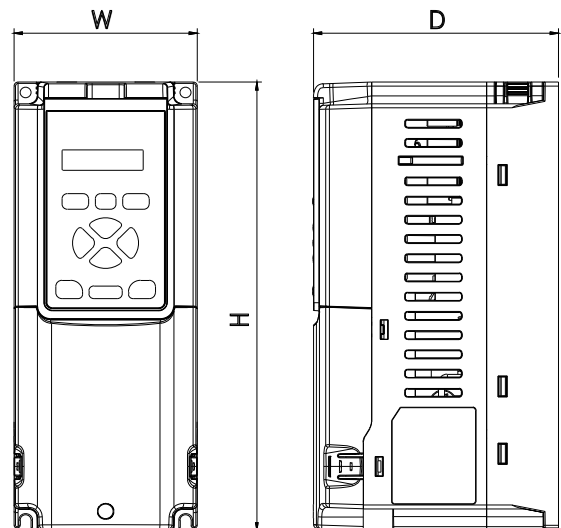
- Three phase.
- Power range 0.75 to 630 kW.
- Frames A2 ~ K2 IP20, UL Type 1, wall mount, top cover, conduit box.
- 3 analogue inputs, 2 analogue outputs, 6 digital inputs, 2 relays.
- Ideal for variable torque equipment such as blowers, pumps, HVAC, water treatment and supply systems plus compressors.


**VP3000 EXTENSION MODULES**

Code	Description	List Price
EMV-R6AA	Relay Extension Card	\$139
EMV-A22A	Analog I/O Extension Card	\$158
EMV-D42A	I/O Extension Card	\$84
EMC-COP01	CANopen Communication Card	\$164
CMC-EIP01 / CMC-EIP02	EtherNet/IP, Modbus TCP Communication Card	\$316
CMC-PN01	PROFINET Communication Card	\$673
CMC-PD01	PROFIBUS DP Card	\$766
CMC-DN01	DeviceNet Communication Card	\$415

**ACS580 IP21 DIMENSIONS**

Frame Size	W (mm)	H (mm)	D (mm)	Weight (kg)
A2	110	300	147	1.95
B2	110	300	167	2.47
B3	110	300	187	3.3
C2	142	380	213	7
D2	175	460	221	11
E2	190	372	226	13
F2	190	595	255	17.6
G2	199	660	310	28.7
H2	262	710	310	40.1





- Barebox unit, components required
- Input speed 1400 rpm (4 pole)
- No lubrication required, sealed for life
- Multi position mounting
- Shell Omala S4WE320 oil



## RIGHT ANGLE ROUND WORMBOX - 030, 045, 050

Code	Size	Ratio	Max kW at 4 Pole	Output Shaft (mm)	Nominal Torque (Nm) 4 Pole	Service Factor	Approx Speed		List Price
							4 Pole Motors	6 Pole Motors	
GEHYDB030FB09COMB30	030	5	0.18	14	17	3.3	280	200	\$389
GEHYDB030FB01COMB30	030	7	0.18	14	17	2.4	200	142	\$389
GEHYDB030FB02COMB30	030	10	0.18	14	17	1.8	132	93	\$389
GEHYDB030FB03COMB30	030	15	0.18	14	19	1.4	93	62	\$389
GEHYDB030FB04COMB30	030	19	0.18	14	19	1.1	74	49	\$389
GEHYDB030FB05COMB30	030	30	0.12	14	21	1.4	47	31	\$389
GEHYDB030FB06COMB30	030	39	0.12	14	20	1.1	36	24	\$389
GEHYDB030FB07COMB30	030	61	0.09	14	20	1.1	23	15	\$389
GEHYDB030FB08COMB30	030	80	0.06	14	16	1.0	18	12	\$389

GEHYDB045FB01COMB30	045	7	0.37	18	30	2.2	197	142	\$463
GEHYDB045FB02COMB30	045	10	0.37	18	30	1.5	140	93	\$463
GEHYDB045FB03COMB30	045	14	0.37	18	30	1.1	100	66	\$463
GEHYDB045FB04COMB30	045	21	0.37	18	41	1.2	67	44	\$463
GEHYDB045FB05COMB30	045	28	0.25	18	41	1.3	50	33	\$463
GEHYDB045FB06COMB30	045	37	0.25	18	41	1.0	38	25	\$463
GEHYDB045FB07COMB30	045	46	0.25	18	41	0.9	30	20	\$463
GEHYDB045FB08COMB30	045	60	0.18	18	41	1.0	23	16	\$463
GEHYDB045FB09COMB30	045	70	0.12	18	30	1.0	20	13	\$463
GEHYDB045FB10COMB30	045	102	0.09*	18	29	1.0	14	9	\$463

GEHYDB050FB01COMB30	050	7	0.75	25	57	1.9	200	133	\$575
GEHYDB050FB02COMB30	050	10	0.75	25	62	1.5	140	93	\$575
GEHYDB050FB03COMB30	050	14	0.75	25	68	1.2	100	66	\$575
GEHYDB050FB04COMB30	050	18	0.55	25	62	1.2	78	52	\$575
GEHYDB050FB05COMB30	050	26	0.55	25	72	1.0	54	36	\$575
GEHYDB050FB06COMB30	050	36	0.37	25	72	1.2	39	26	\$575
GEHYDB050FB07COMB30	050	43	0.37	25	68	1.0	32	22	\$575
GEHYDB050FB08COMB30	050	60	0.25	25	62	1.0	23	16	\$575
GEHYDB050FB09COMB30	050	68	0.25	25	58	0.9	20	14	\$575
GEHYDB050FB10COMB30	050	80	0.18	25	57	1.1	18	12	\$575
GEHYDB050FB11COMB30	050	100	0.12	25	51	1.3	14	9	\$575

\* Power higher than the maximum one which can be supported by the gearbox. Select according to the torque Nm

- Barebox unit, components required
- Input speed 1400 rpm (4 pole)
- No lubrication required, sealed for life
- Multi position mounting
- Shell Omala S4WE320 oil



## RIGHT ANGLE ROUND WORMBOX - 030, 045, 050

Code	Size	Ratio	Max kW at 4 Pole	Output Shaft (mm)	Nominal Torque (Nm) 4 Pole	Service Factor	Approx Speed		List Price
							4 Pole Motors	6 Pole Motors	
GEHYDB063FB01COMB30	063	7	1.8	25	125	1.8	200	133	\$839
GEHYDB063FB02COMB30	063	10	1.8	25	134	1.4	140	93	\$839
GEHYDB063FB03COMB30	063	15	1.5	25	138	1.1	93	62	\$839
GEHYDB063FB04COMB30	063	19	1.1	25	138	1.2	74	49	\$839
GEHYDB063FB05COMB30	063	24	1.1	25	142	1.0	58	39	\$839
GEHYDB063FB06COMB30	063	30	1.1	25	146	0.9	47	31	\$839
GEHYDB063FB07COMB30	063	36	0.75	25	147	1.2	39	26	\$839
GEHYDB063FB08COMB30	063	45	0.55	25	135	1.2	31	21	\$839
GEHYDB063FB12COMB30	063	60	0.55	25	130	0.9	23	17	\$839
GEHYDB063FB09COMB30	063	67	0.55	25	124	0.8	21	14	\$839
GEHYDB063FB10COMB30	063	80	0.37	25	119	1.0	18	12	\$839
GEHYDB063FB11COMB30	063	94	0.37	25	119	1.0	15	10	\$839

GEHYDB063AFB01COMB30	063A	7	1.8	28	162	2.3	200	133	\$893
GEHYDB063AFB02COMB30	063A	10	1.8	28	173	1.7	140	93	\$893
GEHYDB063AFB03COMB30	063A	15	1.5	28	178	1.5	93	62	\$893
GEHYDB063AFB04COMB30	063A	19	1.5	28	178	1.2	74	49	\$893
GEHYDB063AFB05COMB30	063A	24	1.5	28	185	1.0	58	39	\$893
GEHYDB063AFB06COMB30	063A	30	1.5	28	189	0.8	47	31	\$893
GEHYDB063AFB07COMB30	063A	36	1.1	28	191	1.0	39	26	\$893
GEHYDB063AFB08COMB30	063A	45	0.75	28	175	1.2	31	21	\$893
GEHYDB063AFB12COMB30	063A	60	0.55	28	168	1.2	23	17	\$893
GEHYDB063AFB09COMB30	063A	67	0.55	28	159	1.1	21	14	\$893
GEHYDB063AFB10COMB30	063A	80	0.37	28	153	1.3	18	12	\$893
GEHYDB063AFB11COMB30	063A	94	0.37	28	130	1.1	15	10	\$893

- Barebox unit, components required
- Input speed 1400 rpm (4 pole)
- No lubrication required, sealed for life
- Multi position mounting
- Shell Omala S4WE320 oil



## RIGHT ANGLE ROUND WORMBOX - 030, 045, 050

Code	Size	Ratio	Max kW at 4 Pole	Output Shaft (mm)	Nominal Torque (Nm) 4 Pole	Service Factor	Approx Speed		List Price
							4 Pole Motors	6 Pole Motors	
GEHYDB085FB01COMB30	085	7	4	35	257	1.5	207	133	\$1,281
GEHYDB085FB02COMB30	085	10	4	35	284	1.3	145	93	\$1,281
GEHYDB085FB03COMB30	085	14	3	35	305	1.4	103	66	\$1,281
GEHYDB085FB04COMB30	085	20	2.2	35	294	1.2	72	47	\$1,281
GEHYDB085FB05COMB30	085	22	2.2	35	294	1.1	65	42	\$1,281
GEHYDB085FB06COMB30	085	28	2.2	35	347	1.1	51	33	\$1,281
GEHYDB085FB07COMB30	085	38	1.5	35	336	1.2	37	24	\$1,281
GEHYDB085FB08COMB30	085	46	1.5	35	326	1.0	30	20	\$1,281
GEHYDB085FB09COMB30	085	52	1.1	35	289	1.1	26	18	\$1,281
GEHYDB085FB10COMB30	085	67	1.1	35	289	0.9	20	14	\$1,281
GEHYDB085FB11COMB30	085	74	0.75	35	268	1.2	18	13	\$1,281
GEHYDB085FB12COMB30	085	96	0.55	35	242	1.3	14	10	\$1,281

GEHYDB110FB01COMB30	110	7	4	42	483	1.5	207	133	\$2,208
GEHYDB110FB02COMB30	110	10	4	42	525	1.2	145	93	\$2,208
GEHYDB110FB03COMB30	110	16	4	42	536	1.1	90	58	\$2,208
GEHYDB110FB04COMB30	110	20	4	42	546	1.2	72	47	\$2,208
GEHYDB110FB05COMB30	110	23	3	42	515	1.4	63	40	\$2,208
GEHYDB110FB06COMB30	110	30	3	42	651	1.4	47	31	\$2,208
GEHYDB110FB07COMB30	110	38	3	42	641	1.1	38	24	\$2,208
GEHYDB110FB08COMB30	110	45	2.2	42	599	1.2	32	21	\$2,208
GEHYDB110FB09COMB30	110	53	2.2	42	620	1.1	27	18	\$2,208
GEHYDB110FB10COMB30	110	64	1.5	42	536	1.2	22	15	\$2,208
GEHYDB110FB11COMB30	110	84	1.1	42	494	1.2	16	11	\$2,208
GEHYDB110FB12COMB30	110	99	1.1	42	483	1.1	14	9	\$2,208

- Barebox unit, components required
- Input speed 1400 rpm (4 pole)
- Re-lubrication required, sealed for life
- Multi position mounting
- Shell Omala S4WE320 oil



## RIGHT ANGLE SQUARE WORMBOX - Q30, Q45, Q50

Code	Size	Ratio	Max kW at 4 Pole	Output Shaft (mm)	Nominal Torque (Nm) 4 Pole	Service Factor	Approx Speed		List Price
							4 Pole Motors	6 Pole Motors	
GEHYDBQ30FB01COMB30	Q30	5	0.18	14	17	3.3	280	192	\$368
GEHYDBQ30FB02COMB30	Q30	7	0.18	14	17	2.4	200	137	\$368
GEHYDBQ30FB03COMB30	Q30	10	0.18	14	17	1.8	140	96	\$368
GEHYDBQ30FB04COMB30	Q30	15	0.18	14	19	1.4	93	64	\$368
GEHYDBQ30FB05COMB30	Q30	20	0.18	14	19	1.1	70	48	\$368
GEHYDBQ30FB06COMB30	Q30	30	0.12	14	21	1.4	47	32	\$368
GEHYDBQ30FB07COMB30	Q30	40	0.12	14	20	1.1	35	24	\$368
GEHYDBQ30FB08COMB30	Q30	61	0.09	14	20	1.1	23	16	\$368
GEHYDBQ30FB09COMB30	Q30	80	0.09	14	16	1.0	17.5	12	\$368

GEHYDBQ45FB01COMB30	Q45	7	0.37	18	30	2.2	200	137	\$465
GEHYDBQ45FB02COMB30	Q45	10	0.37	18	30	1.5	140	96	\$465
GEHYDBQ45FB03COMB30	Q45	14	0.37	18	30	1.1	100	69	\$465
GEHYDBQ45FB04COMB30	Q45	21	0.37	18	41	1.2	67	46	\$465
GEHYDBQ45FB05COMB30	Q45	28	0.25	18	41	1.3	50	34	\$465
GEHYDBQ45FB06COMB30	Q45	37	0.25	18	41	1.0	38	26	\$465
GEHYDBQ45FB07COMB30	Q45	46	0.25	18	41	0.9	30	21	\$465
GEHYDBQ45FB08COMB30	Q45	60	0.18	18	41	1.0	23	16	\$465
GEHYDBQ45FB09COMB30	Q45	70	0.12	18	30	1.0	20	14	\$465
GEHYDBQ45FB10COMB30	Q45	102	0.09*	18	29	1.0	13.7	9	\$465

GEHYDBQ50FB01COMB30	Q50	7	0.75	25	57	1.9	200	137	\$601
GEHYDBQ50FB02COMB30	Q50	10	0.75	25	62	1.5	140	96	\$601
GEHYDBQ50FB03COMB30	Q50	14	0.75	25	68	1.2	100	69	\$601
GEHYDBQ50FB04COMB30	Q50	18	0.55	25	62	1.2	78	53	\$601
GEHYDBQ50FB05COMB30	Q50	26	0.55	25	66	1.0	54	37	\$601
GEHYDBQ50FB12COMB30	Q50	30	0.55	25	72	0.9	47	33	\$601
GEHYDBQ50FB06COMB30	Q50	36	0.37	25	72	1.2	39	27	\$601
GEHYDBQ50FB07COMB30	Q50	43	0.37	25	68	1.0	33	22	\$601
GEHYDBQ50FB08COMB30	Q50	60	0.25	25	62	1.0	23	16	\$601
GEHYDBQ50FB09COMB30	Q50	68	0.25	25	58	0.9	21	14	\$601
GEHYDBQ50FB10COMB30	Q50	80	0.18	25	57	1.1	18	12	\$601
GEHYDBQ50FB11COMB30	Q50	100	0.12	25	51	1.3	14	10	\$601

\* Power higher than the maximum one which can be supported by the gearbox. Select according to the torque Nm

- Barebox unit, components required
- Input speed 1400 rpm (4 pole)
- Re- lubrication required, sealed for life
- Multi position mounting
- Shell Omala S4WE320 oil



## RIGHT ANGLE SQUARE WORMBOX - Q63, Q75, Q85

Code	Size	Ratio	Max kW at 4 Pole	Output Shaft (mm)	Nominal Torque (Nm) 4 Pole	Service Factor	Approx Speed		List Price
							4 Pole Motors	6 Pole Motors	
GEHYDBQ63FB01COMB30	Q63	7	1.8	25	125	1.8	200	137	\$935
GEHYDBQ63FB02COMB30	Q63	10	1.8	25	134	1.4	140	96	\$935
GEHYDBQ63FB03COMB30	Q63	15	1.5	25	138	1.1	93	64	\$935
GEHYDBQ63FB04COMB30	Q63	19	1.1	25	138	1.2	74	51	\$935
GEHYDBQ63FB05COMB30	Q63	24	1.1	25	142	1.0	58	40	\$935
GEHYDBQ63FB06COMB30	Q63	30	1.1	25	146	0.9	47	32	\$935
GEHYDBQ63FB07COMB30	Q63	36	0.75	25	147	1.2	39	27	\$935
GEHYDBQ63FB08COMB30	Q63	45	0.55	25	135	1.2	31	21	\$935
GEHYDBQ63FB12COMB30	Q63	60	0.55	25	130	0.9	23	17	\$935
GEHYDBQ63FB09COMB30	Q63	67	0.55	25	124	0.8	21	14	\$935
GEHYDBQ63FB10COMB30	Q63	80	0.37	25	119	1.0	18	12	\$935
GEHYDBQ63FB11COMB30	Q63	94	0.37	25	119	1.0	14.9	10	\$935

GEHYDBQ75FB01COMB30	Q75	7	4	28/30	190	1.1	200	137	\$1,122
GEHYDBQ75FB02COMB30	Q75	10	4	28/30	230	1.0	140	96	\$1,122
GEHYDBQ75FB03COMB30	Q75	15	3	28/30	250	1.0	93	64	\$1,122
GEHYDBQ75FB04COMB30	Q75	20	2.2	28/30	250	1.0	70	48	\$1,122
GEHYDBQ75FB05COMB30	Q75	25	1.5	28/30	250	1.2	56	38	\$1,122
GEHYDBQ75FB06COMB30	Q75	31	1.5	28/30	270	1.1	45	30	\$1,122
GEHYDBQ75FB07COMB30	Q75	40	1.5	28/30	255	0.9	35	24	\$1,122
GEHYDBQ75FB08COMB30	Q75	50	0.75	28/30	220	1.3	28	19	\$1,122
GEHYDBQ75FB09COMB30	Q75	60	0.75	28/30	200	1.0	23	16	\$1,122
GEHYDBQ75FB10COMB30	Q75	80	0.55	28/30	180	1.0	17	12	\$1,122
GEHYDBQ75FB11COMB30	Q75	100	0.55*	28/30	150	0.7	14.9	9	\$1,122

GEHYDBQ85FB01COMB30	Q85	7	4	35	257	1.5	200	137	\$1,281
GEHYDBQ85FB02COMB30	Q85	10	4	35	284	1.3	140	96	\$1,281
GEHYDBQ85FB03COMB30	Q85	14	3	35	305	1.4	100	68	\$1,281
GEHYDBQ85FB04COMB30	Q85	20	2.2	35	294	1.2	70	48	\$1,281
GEHYDBQ85FB05COMB30	Q85	22	2.2	35	294	1.1	63	43	\$1,281
GEHYDBQ85FB06COMB30	Q85	28	2.2	35	347	1.1	50	34	\$1,281
GEHYDBQ85FB07COMB30	Q85	38	1.5	35	336	1.2	36	25	\$1,281
GEHYDBQ85FB08COMB30	Q85	46	1.5	35	326	1.0	30	21	\$1,281
GEHYDBQ85FB09COMB30	Q85	52	1.1	35	289	1.1	27	18	\$1,281
GEHYDBQ85FB10COMB30	Q85	67	1.1	35	289	0.9	21	14	\$1,281
GEHYDBQ85FB11COMB30	Q85	74	0.75	35	268	1.2	19	13	\$1,281
GEHYDBQ85FB12COMB30	Q85	96	0.55	35	242	1.3	15	10	\$1,281

\* Power higher than the maximum one which can be supported by the gearbox. Select according to the torque Nm

- Barebox unit, components required
- Input speed 1400 rpm (4 pole)
- Re- lubrication required, sealed for life
- Multi position mounting
- Shell Omala S4WE320 oil



## RIGHT ANGLE SQUARE WORMBOX - Q11, Q13

Code	Size	Ratio	Max kW at 4 Pole	Output Shaft (mm)	Nominal Torque (Nm) 4 Pole	Service Factor	Approx Speed		List Price
							4 Pole Motors	6 Pole Motors	
GEHYDBQ11FB01COMB30	Q11	7	4	42	483	1.5	200	137	\$2,647
GEHYDBQ11FB02COMB30	Q11	10	4	42	525	1.2	140	96	\$2,647
GEHYDB115FB03COMB30	Q11	16	4	42	536	1.1	87	60	\$2,647
GEHYDBQ11FB04COMB30	Q11	20	4	42	546	1.2	70	48	\$2,647
GEHYDBQ11FB05COMB30	Q11	23	3	42	515	1.4	61	42	\$2,647
GEHYDBQ11FB06COMB30	Q11	30	3	42	651	1.4	47	32	\$2,647
GEHYDBQ11FB07COMB30	Q11	38	3	42	641	1.1	36	25	\$2,647
GEHYDBQ11FB08COMB30	Q11	45	2.2	42	599	1.2	31	21	\$2,647
GEHYDBQ11FB09COMB30	Q11	53	2.2	42	620	1.1	26	18	\$2,647
GEHYDBQ11FB10COMB3	Q11	64	1.5	42	536	1.2	22	15	\$2,647
GEHYDBQ11FB11COMB30	Q11	84	1.1	42	494	1.2	17	11	\$2,647
GEHYDBQ11FB12COMB30	Q11	99	1.1	42	483	1.1	14	10	\$2,647

GEHYDBQ13FB01COMB30	Q13	7.5	7.5	45	741	2.1	187	128	\$3,050
GEHYDBQ13FB02COMB30	Q13	10	7.5	45	820	1.8	140	96	\$3,050
GEHYDBQ13FB03COMB30	Q13	15	7.5	45	917	1.4	93	64	\$3,050
GEHYDBQ13FB04COMB30	Q13	20	7.5	45	905	1.0	70	48	\$3,050
GEHYDBQ13FB05COMB30	Q13	25	5.5	45	931	1.2	56	38	\$3,050
GEHYDBQ13FB06COMB30	Q13	30	5.5	45	1047	1.2	47	32	\$3,050
GEHYDBQ13FB07COMB30	Q13	40	4	45	1043	1.2	35	24	\$3,050
GEHYDBQ13FB08COMB30	Q13	50	4	45	972	0.9	28	19	\$3,050
GEHYDBQ13FB09COMB30	Q13	60	3	45	928	1.0	23	16	\$3,050
GEHYDBQ13FB10COMB30	Q13	80	2.2	45	853	1.0	17	12	\$3,050
GEHYDBQ13FB11COMB30	Q13	100	1.5	45	742	1.1	14	10	\$3,050

- Barebox unit, components required
- Input speed 1400 rpm (4 pole)
- Optional shaft sizes: 311 is 14mm; 411 is 19mm; 511 is 24mm



## COAXIAL 1 STAGE - 311, 411, 511

Code	Size	Ratio	Max kW at 4 Pole	Output Shaft (mm)	Torque (Nm) 4 Pole	Service Factor	Approx Speed		List Price
							4 Pole Motors	6 Pole Motors	
GEHYDP311AN01CNQB3	311A	1.57	0.37	19	3.9	10.5	892	637	\$541
GEHYDP311AN02CNQB3	311A	2.84	0.37	19	7	6.1	493	352	\$541
GEHYDP311AN03CNQB3	311A	3.29	0.37	19	8.1	6.1	426	304	\$541
GEHYDP311AN04CNQB3	311A	3.87	0.37	19	9.6	4.2	362	258	\$541
GEHYDP311AN05CNQB3	311A	4.62	0.37	19	11.4	4.2	303	216	\$541
GEHYDP311AN06CNQB3	311A	6.3	0.37	19	15.6	3	222	159	\$541
GEHYDP311AN07CNQB3	311A	8.22	0.37	19	20.3	1.9	170	122	\$541
GEHYDP311AN08CNQB3	311A	10.86	0.37	19	26.9	1	129	92	\$541
GEHYDP411AN01ENRB3	411A	1.57	1.5	24	15.5	2.6	892	637	\$640
GEHYDP411AN02ENRB3	411A	2.84	1.5	24	28.5	1.5	493	352	\$640
GEHYDP411AN03ENRB3	411A	3.29	1.5	24	33	1.5	426	304	\$640
GEHYDP411AN04ENRB3	411A	3.87	1.5	24	39	1	362	258	\$640
GEHYDP411AN05ENRB3	411A	4.62	1.5	24	46.3	1	303	216	\$640
GEHYDP411AN06ENRB3	411A	6.3	1.1	24	46.3	1	222	159	POA
GEHYDP411AN07ENRB3	411A	8.22	0.55	24	30	1.3	170	122	\$640
GEHYDP411AN08ENRB3	411A	10.8	0.37	24	27	1.1	130	93	POA
GEHYDP511AH104GNUB3	511A	1.3	4	28	35	1.9	1077	769	\$910
GEHYDP511AH105GNUB3	511A	2.45	4	28	66	1.9	571	408	\$910
GEHYDP511AN02GNUB3	511A	3.31	4	28	89	1.4	423	302	\$910
GEHYDP511AN03GNUB3	511A	4.31	4	28	115	1.2	325	232	\$910
GEHYDP511AN05GNUB3	511A	5.27	3	28	106	1.3	266	190	\$910
GEHYDP511AN06GNUB3	511A	7.63	2.2	28	112	1	183	131	\$910
GEHYDP511AN07GNUB3	511A	10.5	1.1	28	77	1	133	95	\$910

Motor Flange



Right Angle Round 1 stage Feet  
Wormbox Feet



## GEARBOX COMPONENTS - MOTOR FLANGE

Code	Description	Frame	Flange	Right Angle Round Size	Right Angle Square Size	1 Stage Size	List Price
GEHYDK0304041	Motor flange	56	B5	030	-	-	\$43
GEHYDK0304042	Motor flange	63	B5	030	-	-	\$43
GEHYDK0304045	Motor flange	63	B14	030	-	-	\$43
GEHYDK0304046	Motor flange	56	B14	030	-	-	\$43
GEHYDK0504041	Motor flange	63	B5	045/050	Q45/Q50	211/311	\$47
GEHYDK0504042	Motor flange	71	B5	045/050	Q45/Q50	211/311	\$47
GEHYDK0504043	Motor flange	80	B5	045/050	Q50	-	\$47
GEHYDK0504045	Motor flange	71	B14	045/050	Q45/Q50	211/311	\$47
GEHYDK0504046	Motor flange	80	B14	045/050	Q50	-	\$47
GEHYDK0504047	Motor flange	63	B14	045/050	Q45/Q50	211/311	\$47
GEHYDK0634041	Motor flange	63/90	B5/B14	045/050	Q63	411	\$49
GEHYDK0634042	Motor flange	71	B5	063/063A	Q63	411	\$49
GEHYDK0634043	Motor flange	80/90	B5	063/063A	Q63	411	\$49
GEHYDK0634046	Motor flange	80	B14	063/063A	Q63	411	\$49
GEHYDK0634047	Motor flange	71	B14	063/063A	Q63	411	\$49
GEHYDK0234041	Motor flange	71/100/112	B5/B14	085/110	Q75/Q85/Q11	511	\$72
GEHYDK0234042	Motor flange	80/90	B5	085/110	Q75/Q85/Q11	511	\$72
GEHYDK0234043	Motor flange	100/112	B5	085/110	Q75/Q85/Q11	511	\$72
GEHYDK0854045	Motor flange	90	B14	085/110	Q75/Q85/Q11	511	\$72
GEHYDK0854046	Motor flange	80	B14	085/110	Q75/Q85/Q11	511	\$72
GEHYDK0854047	Motor flange	100/112	B14	085	Q75/Q85	511	\$72

## GEARBOX COMPONENTS - FEET

Code	Description	Right Angle Round Size	Right Angle Square Size	1 Stage Size	List Price
GEHYDK0309022	Feet	030	-	-	\$32
GEHYDK0459022	Feet	045	-	-	\$46
GEHYDK0509022	Feet	050	-	-	\$73
GEHYDK0639022	Feet	063	-	-	\$80
GEHYDK0709022	Feet	063A	-	-	\$110
GEHYDK0859022	Feet	085	-	-	\$164
GEHYDK1109022	Feet	110	-	-	\$233

GEHYDP311-411FEET	Feet	-	-	311A/411A	\$92
GEHYDP511-611FEET	Feet	-	-	511A/611A	\$121

Single output

Double output



## GEARBOX COMPONENTS - SINGLE & DOUBLE OUTPUT SHAFT

Code	Description	Diameter (mm)	Right Angle Round Size	Right Angle Square Size	List Price
GEHYDK0305028	Single output shaft	14	030	Q30	\$70
GEHYDK0455028	Single output shaft	18	045	Q45	\$72
GEHYDK0505028	Single output shaft	25	050	Q50	\$120
GEHYDK0635028	Single output shaft	25	063	Q63	\$145
GEHYDK0705028	Single output shaft	28	063A	Q75	\$145
GEHYDK0855028	Single output shaft	35	085	Q85	\$187
GEHYDK1105028	Single output shaft	42	110	Q11	\$229

GEHYDKQ755026	Single output shaft	28	-	Q75	\$145
GEHYDKQ755028	Single output shaft	30	-	Q75	\$145
GEHYDKQ135028	Single output shaft	45	-	Q13	\$168

GEHYDK0305029	Double output shaft	14	030	Q30	\$70
GEHYDK0455029	Double output shaft	18	045	Q45	\$101
GEHYDK0505029	Double output shaft	25	050	Q50	\$139
GEHYDK0635029	Double output shaft	25	063	-	\$159
GEHYDK0705029	Double output shaft	28	063A	-	\$159
GEHYDK0855029	Double output shaft	35	085	-	\$197
GEHYDK1105029	Double output shaft	42	110	-	\$290

GEHYDKQ755029	Double output shaft	30	-	Q75	\$184
GEHYDKQ135029	Double output shaft	45	-	Q13	\$226

Right angle round  
FC output flange



Right angle square  
FC output flange



1 stage output  
flange



Right angle round  
FL spacer



Right angle  
square FL spacer



## GEARBOX COMPONENTS - OUTPUT FLANGE

Code	Description	Diameter (mm)	Right Angle Round Size	Right Angle Square Size	1 Stage Size	List Price
GEHYDK0309010	FC output flange	50	030	-	-	\$37
GEHYDK0459010	FC output flange	60	045	-	-	\$43
GEHYDK0509010	FC output flange	70	050	-	-	\$55
GEHYDK0639010	FC output flange	115	063	-	-	\$78
GEHYDK0709010	FC output flange	130	063A	-	-	\$92
GEHYDK0859010	FC output flange	152	085	-	-	\$147
GEHYDK1109010	FC output flange	170	110	-	-	\$222

GEHYDKQ309010	FC output flange	50	-	Q30	-	\$30
GEHYDKQ459010	FC output flange	60	-	Q45	-	\$43
GEHYDKQ509010	FC output flange	70	-	Q50	-	\$55
GEHYDKQ639010	FC output flange	115	-	Q63	-	\$79
GEHYDKQ759010	FC output flange	130	-	Q75	-	\$121
GEHYDKQ139010	FC output flange	180	-	Q13	-	\$282

GEHYDKC309011	Output flange	140	-	-	311A/411A	\$55
GEHYDKC309012	Output flange	160	-	-	311A/411A	\$55
GEHYDKC309013	Output flange	200	-	-	311A/411A	\$55
GEHYDKC409010	Output flange	120	-	-	511A	\$71
GEHYDKC409011	Output flange	140	-	-	511A	\$71
GEHYDKC409012	Output flange	160	-	-	511A	\$87
GEHYDKC409013	Output flange	200	-	-	511A	\$87
GEHYDKC409014	Output flange	250	-	-	511A	\$87

## GEARBOX COMPONENTS - SPACER

Code	Description	Right Angle Round Size	Right Angle Square Size	List Price
GEHYDK0450200	FL spacer	045	-	\$56
GEHYDK0500200	FL spacer	050	-	\$56
GEHYDK0630200	FL spacer	063	-	\$56
GEHYDK0700200	FL spacer	063A	-	\$56
GEHYDK0850201	FL spacer	085	-	\$84

GEHYDKQ459011	FL spacer	-	Q45	\$43
GEHYDKQ509011	FL spacer	-	Q50	\$55
GEHYDKQ750200	FL spacer	-	Q75	\$88

Input bush (plastic)

Input bush (zinc)

Reduction bush



## GEARBOX COMPONENTS - INPUT BUSH

Code	Description	Frame	Input Shaft (mm)	Right Angle Round Size	Right Angle Square Size	List Price
GEHYDK0305090P	Input bush (plastic)	56	9	030	Q30	\$5
GEHYDK0305091P	Input bush (plastic)	63	11	030	Q30	\$5
GEHYDK0505090P	Input bush (plastic)	56	9	050	Q50	\$5
GEHYDK0505091P	Input bush (plastic)	63	11	050	Q50	\$5
GEHYDK0505092P	Input bush (plastic)	71	14	050	Q50	\$5
GEHYDK0505093Z	Input bush (zinc)	80	19		Q50	\$7
GEHYDKC355090P	Input bush (plastic)	56	9	045	Q45	\$5
GEHYDKC355091P	Input bush (plastic)	63	11	045	Q45	\$5
GEHYDKC355092P	Input bush (plastic)	71	14	045	Q45	\$5
GEHYDKC405091P	Input bush (plastic)	63	11	063/063A	Q63	\$9
GEHYDKC405092P	Input bush (plastic)	71	14	063/063A	Q63	\$9
GEHYDKC405093P	Input bush (plastic)	80	19	063/063A	Q63	\$9
GEHYDKC405094Z	Input bush (zinc)	90	24	063/063A	Q63	\$11
GEHYDKC505092P	Input bush (plastic)	71	14	-	Q75	\$14
GEHYDKC505093P	Input bush (plastic)	80	19	-	Q75	\$14
GEHYDKC505094Z	Input bush (zinc)	90	24	-	Q75	\$14
GEHYDKC505095Z	Input bush (zinc)	100/112	28	-	Q75	\$14

## GEARBOX COMPONENTS - REDUCTION BUSH

Code	Description	Inner Diameter (mm)	Outer Diameter (mm)	List Price
GEHYDR09/11	Reduction bush	9	11	\$26
GEHYDR11/14	Reduction bush	10	11	\$26
GEHYDR14/19	Reduction bush	14	19	\$26
GEHYDR19/24	Reduction bush	19	24	\$26
GEHYDR24/28	Reduction bush	24	28	\$34
GEHYDR28/38	Reduction bush	28	38	\$57

GEHYDR09/14	Reduction bush SPECIAL	9	14	\$34
GEHYDR11/19	Reduction bush SPECIAL	11	19	\$46
GEHYDR14/24	Reduction bush SPECIAL	14	24	\$46
GEHYDR19/28	Reduction bush SPECIAL	19	28	\$57

Kit 'R'



Right angle round reaction arm



Right angle square reaction arm



## GEARBOX COMPONENTS - KIT 'R' SHAFT INPUT

Code	Description	Frame	d x L (mm)	Right Angle Round Size	Right Angle Square Size	List Price
GEHYDK0305006	Kit 'R' shaft input	63	9 x 20	030	Q30	\$50
GEHYDK0455006	Kit 'R' shaft input	71	11 x 30	045	Q45	\$56
GEHYDK0505006	Kit 'R' shaft input	71	16 x 30	050	Q50	\$56
GEHYDK0505007	Kit 'R' shaft input	80	16 x 30	050	Q50	\$56
GEHYDK0635006	Kit 'R' shaft input	80	18 x 45	063/063A	Q63	\$61
GEHYDK0635007	Kit 'R' shaft input	90	18 x 45	063/063A	Q63	\$61
GEHYDK0855007	Kit 'R' shaft input	90	25 x 50	085/110	Q75/Q85/Q11	\$78
GEHYDK0855008	Kit 'R' shaft input	100	25 x 50	085/110	Q75/Q85/Q11	\$78

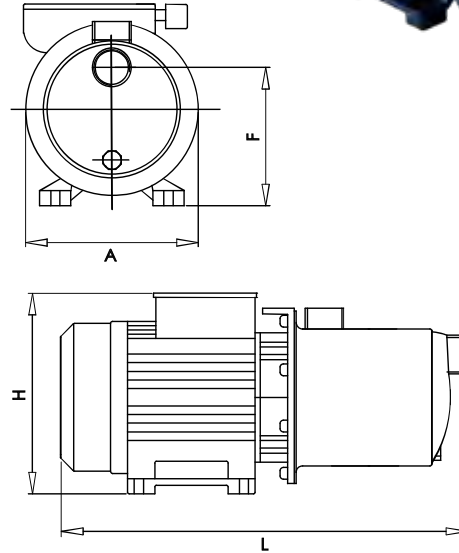
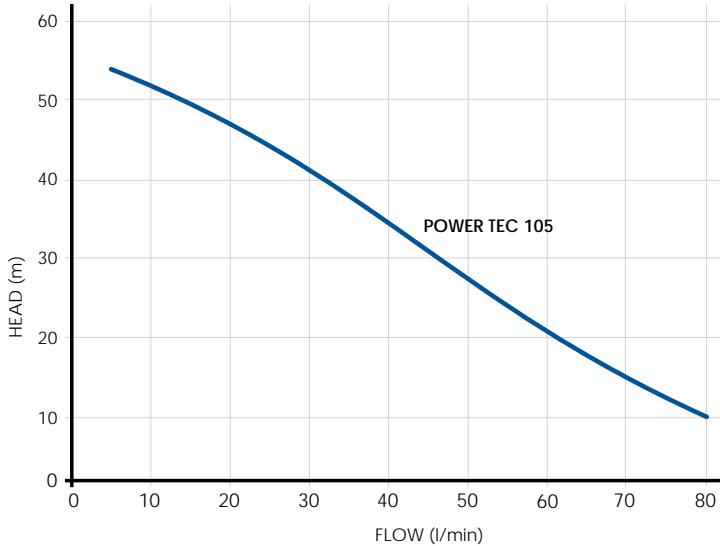
## GEARBOX COMPONENTS - REACTION ARM

Code	Description	Right Angle Round Size	Right Angle Square Size	List Price
GEHYDK0459027	Reaction arm	030/045	-	\$61
GEHYDK0509027	Reaction arm	050	-	\$79
GEHYDK0639027	Reaction arm	063/063A	-	\$129
GEHYDK0859027	Reaction arm	085	-	\$163
GEHYDK1109027	Reaction arm	110	-	\$275

GEHYDKQ309027	Reaction arm	-	Q30	\$64
GEHYDKQ459027	Reaction arm	-	Q45	\$67
GEHYDKQ509027	Reaction arm	-	Q50	\$75
GEHYDKQ639027	Reaction arm	-	Q63	\$129
GEHYDKQ759027	Reaction arm	-	Q75	\$158
GEHYDKQ139027	Reaction arm	-	Q13	\$282



- **Pump type:** self priming multistage pump for drinking or clean water.
- Reliable stainless steel pump provides strong water pressure and flow for showers, dishwashers, taps and garden use.
- Able to draw water from depth (up to 7m) helps when water supply is low or far away.
- Automatic start & stop function turns pump on and off as needed.
- Easy to install, includes fittings, thread tape, smart controller and instructions.
- Pump made in Italy, controller made in Spain.
- **Applications:** drinking water supply for home or lifestyle block.



## PERFORMANCE GUIDE

Code	Max Head (m)	Max Flow (l/min)	Max Pressure (psi)	Max Suction Depth (m)	Inlet (mm)	Outlet (mm)
PUOSIPPOWERTEC105/AM	55	80	78	5	25	25

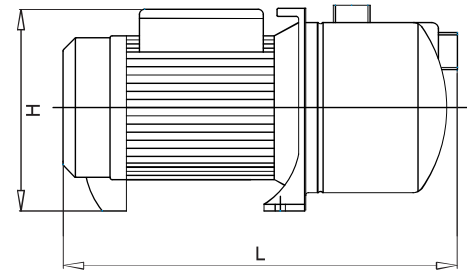
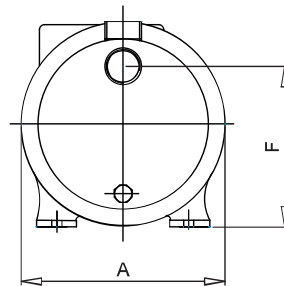
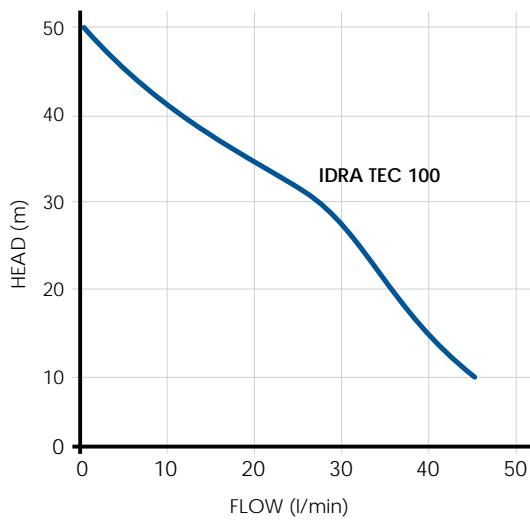
## ELECTRICAL DATA

Code	Current Type	kW	Hp	Amps	RPM/min	Capacitor (µF)	Insulation Class	Voltage (V)	Frequency (Hz)
PUOSIPPOWERTEC105/AM	Single	0.9	1.25	5.2	2800	16	F	230	50

## DIMENSIONS + WEIGHTS

Code	A (mm)	H (mm)	F (mm)	L (mm)	Weight (kg)
PUOSIPPOWERTEC105/AM	175	180	115	394	11.5

- **Pump type:** self priming jet pump for drinking or clean water.
- Reliable stainless steel pump provides strong and steady water pressure for your home, garden or lifestyle block.
- Ideal for clean water from tanks, wells or mains supply.
- Able to draw water from depth (up to 9m) helps when water supply is low or far away.
- Can run with air in pipes.
- Automatically turns on and off when you turn tap on and off.
- Built in pump protection that stops the pump if the water runs out.
- Easy to install, includes fittings, thread tape, controller and instructions.
- Pump made in Italy, controller made in Spain.
- **Applications:** drinking water supply for home or lifestyle block.



## PERFORMANCE GUIDE

Code	Max Head (m)	Max Flow (l/min)	Max Pressure (psi)	Max Suction Depth (m)	Inlet (mm)	Outlet (mm)
PUOSIPIDRATEC100M	50	45	71	7	25	25

## ELECTRICAL DATA

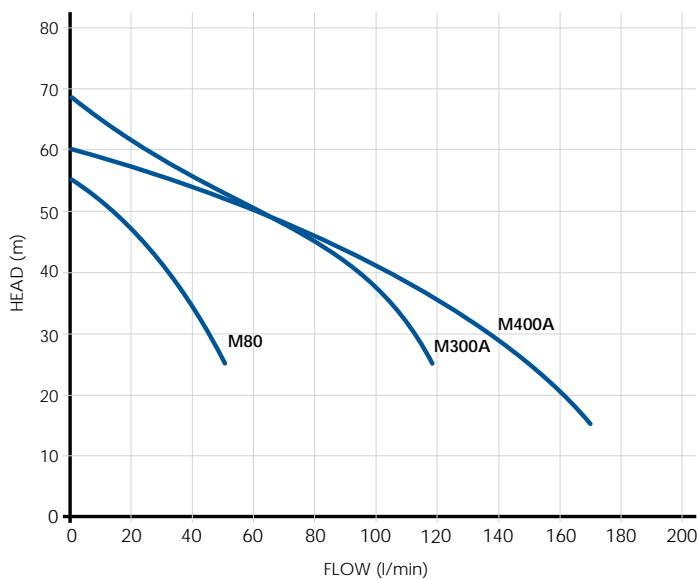
Code	Current Type	kW	Hp	Amps	RPM/min	Capacitor (µF)	Insulation Class	Voltage (V)	Frequency (Hz)
PUOSIPIDRATEC100M	Single	0.75	1	4.8	2800	16	F	230	50

## DIMENSIONS + WEIGHTS

Code	A (mm)	H (mm)	F (mm)	L (mm)	Weight (kg)
PUOSIPIDRATEC100M	200	260	157	366	11



- **Pump type:** self priming jet pump with built in injector for clean water.
- Close coupled
- The liquid through the impeller is only partially directed to the outlet, the remaining liquid is recirculated through the venturi system integrated into the pump body. This setup facilitates the self-priming function.
- During the initial start-up, it is sufficient to fill the pump body with liquid, which, as it circulates through the venturi, moves air from the suction side to the discharge side, expelling it through the delivery piping. This creates a vacuum, drawing the liquid up through the suction piping and initiating the priming process.
- The venturi system allows these pumps to operate without being affected by the presence of air in the pumped liquid.
- **Applications:** general water supply, lifestyle, garages with toilet and hand basin, horticultural irrigation, mist irrigation, dairy, farm and industrial applications.

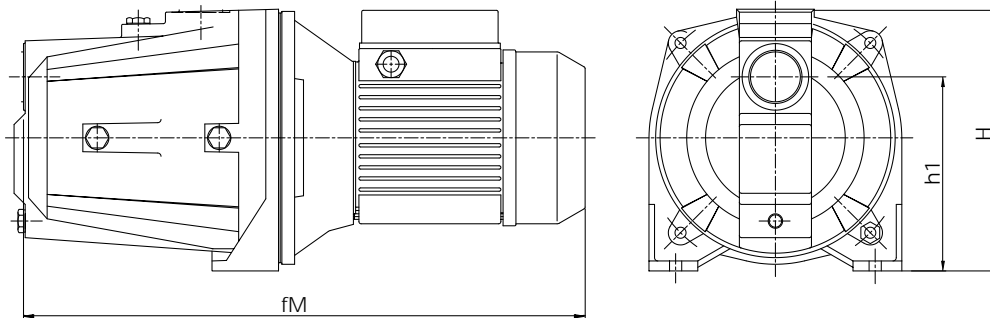


PERFORMANCE GUIDE							
Code	Max Head (m)	Max Flow (l/min)	Max Pressure (psi)	Max Suction Depth (m)	Inlet (mm)	Outlet (mm)	Price List
PUSAERM80	55	50	78	5	25	25	\$550
PUSAERM300AM	69	120	98	5	40	32	\$1,353
PUSAERM300AT	70	120	98	5	40	32	\$1,353
PUSAERM400AM	63	167	89	5	40	32	\$1,420
PUSAERM400AT	63	167	89	5	40	32	\$1,420

**Note:** M denotes single (mono) phase. T denotes three (tri) phase.

## ELECTRICAL DATA

Code	Current Type	kW	Hp	Amps	RPM/min	Capacitor (µF)	Insulation Class	Voltage (V)	Frequency (Hz)
PUSAERM80	Single	0.75	1	5.7	2850	20	F	230	50
PUSAERM300AM	Single	2.2	3	14.8	2850	50	F	230	50
PUSAERM300AT	Three	2.2	3	10.4/6	2850	-	F	230/400	50
PUSAERM400AM	Single	2.2	3	14.8	2850	50	F	230	50
PUSAERM400AT	Three	2.2	3	10.4/6	2850	-	F	230/400	50



## DIMENSIONS

Code	fM (mm)	H (mm)	h1 (mm)	Approx. Weight (kg)
PUSAERM80	441	207	154	15
PUSAERM300AM	445	235	120	34
PUSAERM300AT	445	235	120	34
PUSAERM400AM	445	235	120	33.5
PUSAERM400AT	445	235	120	33.5

**Construction materials:**

- Cast iron pump body
- Impeller either thermoplastic resin or brass
- Mechanical seal BVPFF
- Stainless steel (ASI 420) shaft

**Specifications:**

- Liquid temperature -15 to +50 °C
- Max ambient temperature +40 °C
- Protection rating IP44
- Suction lift up to 8m in ideal conditions
- Made in Italy

**Installation:**

- Upon installation always prime the pump body first before start up. Pump must be installed with the motor shaft in the horizontal position.

### M80 WITH BRIO 2000 AUTOMATIC PUMP SET

- A complete pump system includes a M80 jet pump, Brio 2000 controller and brass union.
- Includes 1.5m lead with a 10A plug.

#### Brio 2000 Controller

- An electronic device for control and protection of the pump up to 1.5kW (12A).
- Compact unit provides fluctuation free output pressure and ensures the pump is protected against running dry.
- Replaces traditional pump set up of pressure switch, pressure tank, gauge and non-return valve. No pressure tank required.
- Made in Italy.



M80 WITH BRIO PUMP SET						
Code	Connections (mm)	H (mm)	L (mm)	D (mm)	Approx. Weight (kg)	Price List
PUSAERM80COMBRIO	25	690	441	220	18.9	\$893

### M80 WITH PRESS CONTROL PUMP SET

- A complete pump system includes M80 jet pump, 3L pressure tank, fully automatic press control, brass union and plastic tee.
- Ideal for lifestyle, rural and light commercial applications with consistent electricity supply.
- Includes 1.5m lead with a 10A plug.

M80 WITH PRESS CONTROL PUMP SET						
Code	Connections (mm)	H (mm)	L (mm)	D (mm)	Approx. Weight (kg)	Price List
PUSAERM80COMPC	25	700	430	220	17.2	\$1,085



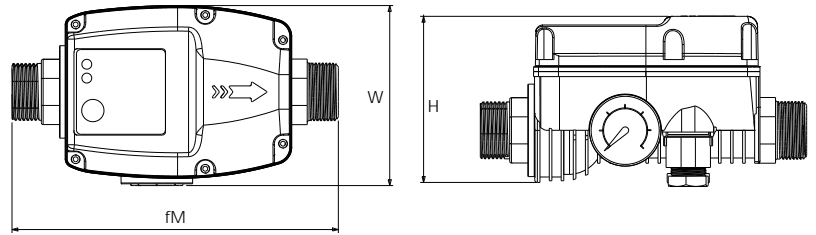
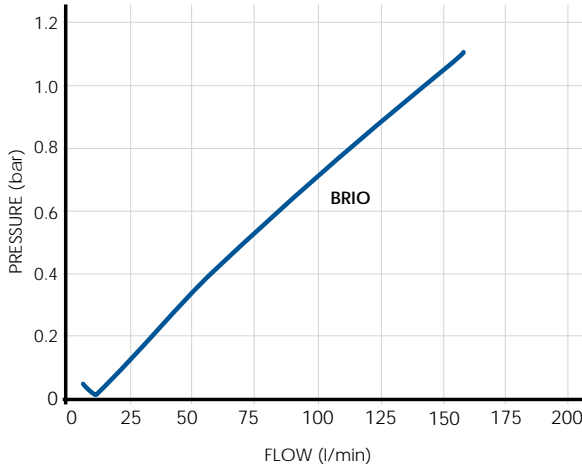
### M80 WITH PRESS CONTROL PUMP SET

- A complete pump set includes M80 jet pump, 18L pressure tank, mechanical pressure switch and brass 5 way tee.
- Ideal for lifestyle properties, rural and light commercial applications with fluctuating electricity supply.
- Includes 1.5m lead with a 10A plug.

M80 WITH PRESS SWITCH PUMP SET						
Code	Connections (mm)	H (mm)	L (mm)	D (mm)	Approx. Weight (kg)	Price List
PUSAERM80COMPS	25	600	430	320	18.9	\$955



- An electronic device for control and protection of the pump up to 1.5kW (12A MAX).
- Compact unit provides fluctuation free output pressure and ensures the pump is protected against running dry.
- Replaces traditional pump set up of pressure switch, pressure tank, gauge and non-return valve. No pressure tank required.
- Either vertical or horizontal positioning dependent on flow direction.
- Made in Italy.



## PERFORMANCE GUIDE

Code	Max Flow (l/min)	Max Pressure (bar)	Max Pressure (psi)	Inlet (mm)	Outlet (mm)	Price List
PUSAERBRIO2000M	167	10	145	25	25	\$168

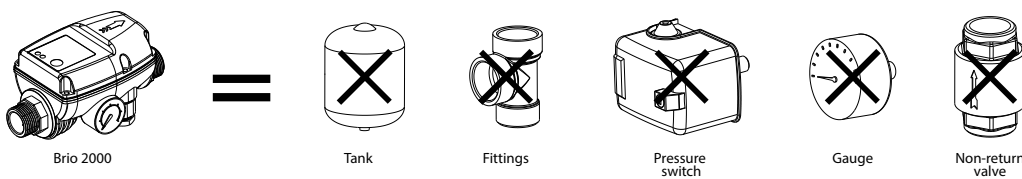
## ELECTRICAL DATA

Code	Current Type	kW	Hp	Amps	Voltage (V)	Frequency (Hz)
PUSAERBRIO2000M	Single	1.5	2	12	230	50

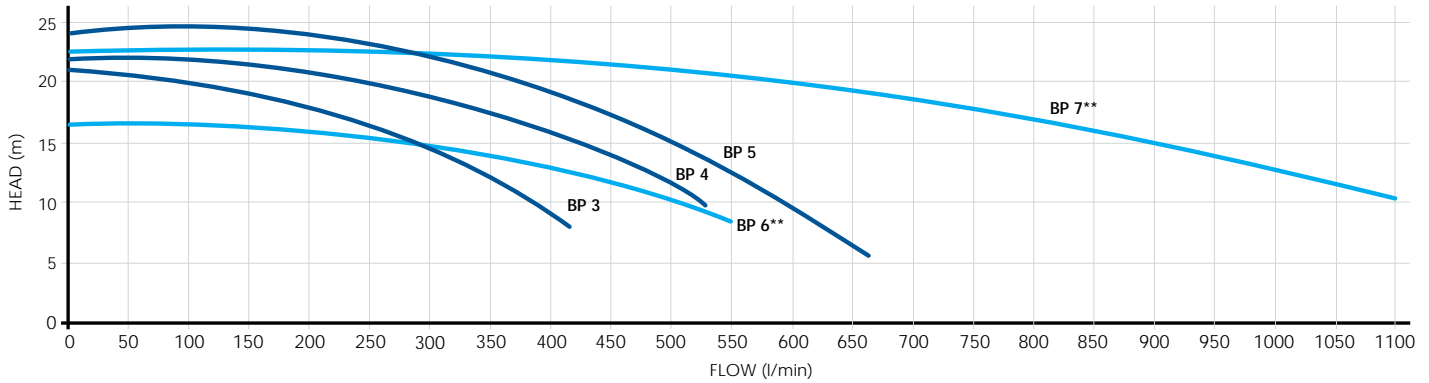
## DIMENSIONS

Code	fM (mm)	W (mm)	H (mm)	Approx. Weight (kg)
PUSAERBRIO2000M	190	105	96	0.6

### BRIO 2000 REPLACES TRADITIONAL PUMP SET UP:



- **Pump type:** end suction pump with a single overhang impeller directly on the motor shaft.
- Integral centrifugal.
- The liquid is pumped into the spiral shaped volute of the pump body, transforming the liquid's motion into pressure.
- **Applications:** milk cooler pump, industrial water supply, horticultural and agricultural irrigation, civil & domestic water transfer or applications requiring high volume with low pressure.

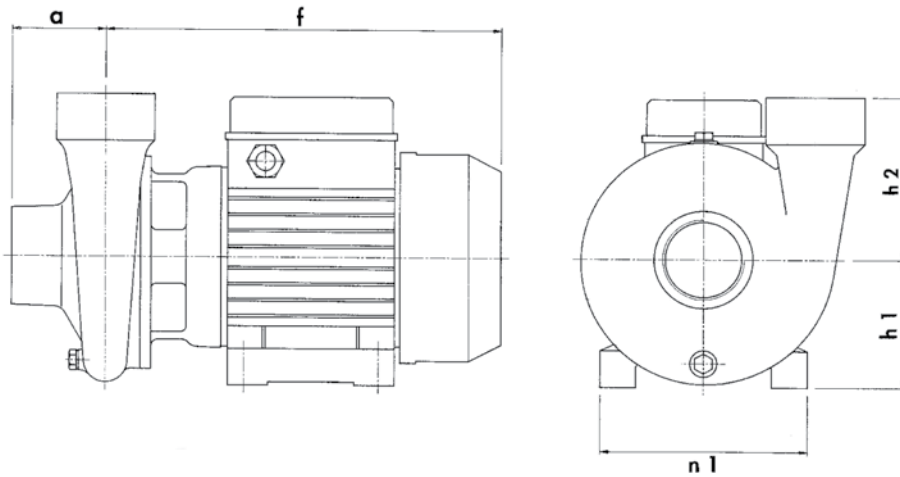


## PERFORMANCE GUIDE

Code	Max Head (m)	Max Flow (l/min)	Max Pressure (PSI)	Inlet (inch BSP)	Outlet (inch BSP)	Price List
PUSAERBP3M	21.5	420	31	2	2	\$840
PUSAERBP3T	21.5	420	31	2	2	\$615
PUSAERBP4M	22	550	31	2	2	\$766
PUSAERBP4T	22	550	31	2	2	\$665
PUSAERBP5M	24	670	34	2	2	\$966
PUSAERBP5T	24	670	34	2	2	\$920
PUSAERBP6T	16	550	22	2	2	POA
PUSAERBP7T	22.4	1100	31	2	2	POA

## ELECTRICAL DATA

Code	Current Type	kW	Hp	Amps	RPM/min	Capacitor (µF)	Insulation Class	Voltage (V)	Frequency (Hz)
PUSAERBP3M	Single	0.75	1	6.6	2850	25	F	230	50
PUSAERBP3T	Three	0.75	1	2.8	2850	-	F	400	50
PUSAERBP4M	Single	1.1	1.5	8.8	2850	31.5*	F	230	50
PUSAERBP4T	Three	1.1	1.5	3.5	2850	-	F	400	50
PUSAERBP5M	Single	1.5	2	12.6	2850	40	F	230	50
PUSAERBP5T	Three	1.5	2	4.9	2850	-	F	400	50
PUSAERBP6T	Three	0.9	1.2	2.8	2850	-	F	400	50
PUSAERBP7T	Three	3	4	6.3	2850	-	F	400	50



**DIMENSIONS**

Code	a (mm)	f (mm)	n1 (mm)	h1 (mm)	h2 (mm)	Approx. Weight (kg)
PUSAERBP3M	70	294	152	96	122	16
PUSAERBP3T	70	294	152	96	122	16
PUSAERBP4M	70	294	152	96	122	19.2
PUSAERBP4T	70	294	152	96	122	19.2
PUSAERBP5M	70	294	152	96	122	22
PUSAERBP5T	70	294	152	96	122	22
PUSAERBP6T	52	265	180	97.5	150	
PUSAERBP7T	80	345	240	130	190	

**Construction materials:**

- Cast iron pump body
- Impeller cast iron
- Mechanical seal BVPFF
- Stainless steel shaft

**Specifications:**

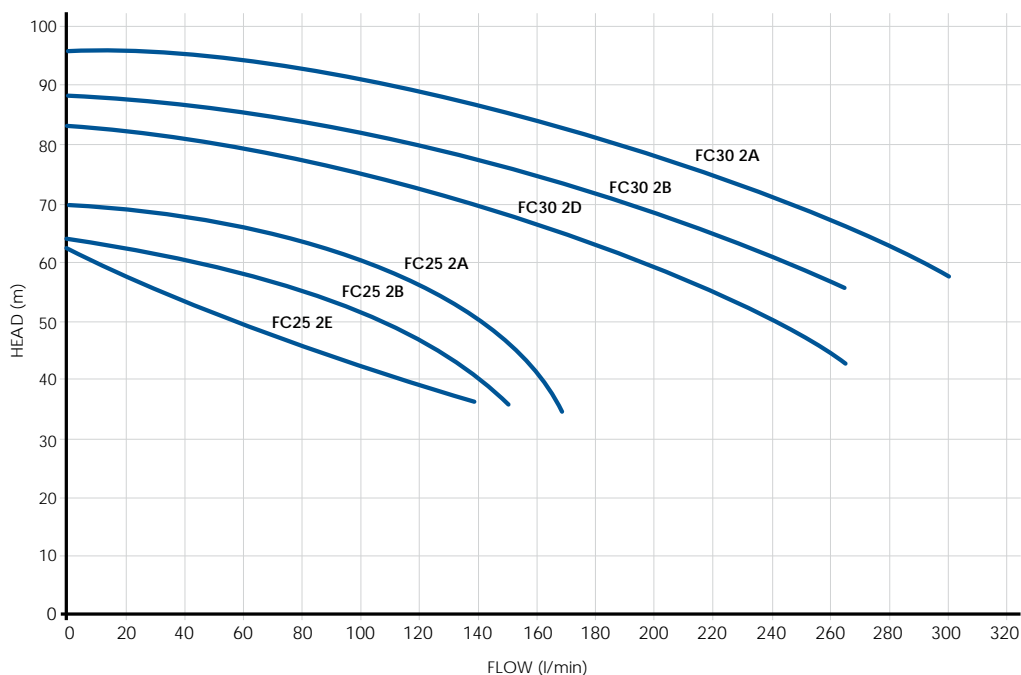
- Liquid temperature -15 to +70 °C
- Max ambient temperature +40 °C
- Protection rating IP55
- Flooded suction only
- Made in Italy

**Installation:**

- Upon installation always prime the pump body before first start up. Pump can be installed with the motor shaft in either vertical or horizontal position. In the case of vertical installations, the motor must always be positioned above the pump body.

\* Can use a 30 µF capacitor. \*\* BP6 and BP7 are available on request.

- **Pump type:** twin impeller pump fitted with two opposing impellers located on one rotor shaft by keyways within the pump body.
- Integral centrifugal.
- The opposing impeller's function in series ensuring perfect balance and avoids overloading the motor bearings created by hydraulic thrust loads.
- The liquid is pumped into the spiral shaped volute of the pump body, transforming the liquid's motion into pressure.
- **Applications:** feeding farm troughs, industrial water supply, horticultural & agricultural irrigation, civil & domestic water transfer, or applications with high head low volume requirements.



PERFORMANCE GUIDE						
Code	Max Head (m)	Max Flow (l/min)	Max Pressure (PSI)	Inlet (inch)	Outlet (inch)	Price List
PUSAERFC25-2EM	61.5	133	87	1 1/4	1	\$1,014
PUSAERFC25-2ET	61.5	133	87	1 1/4	1	\$1,074
PUSAERFC25-2BM	64	150	90	1 1/4	1	\$1,543
PUSAERFC25-2BT	64	150	90	1 1/4	1	\$1,543
PUSAERFC25-2AT	70	167	99	1 1/4	1	\$1,780
PUSAERFC30-2DT	83	267	118	1 1/2	1 1/4	\$2,167
PUSAERFC30-2BT	88	260	125	1 1/2	1 1/4	\$2,243
PUSAERFC30-2AT	96	200	136	1 1/2	1 1/4	\$3,043

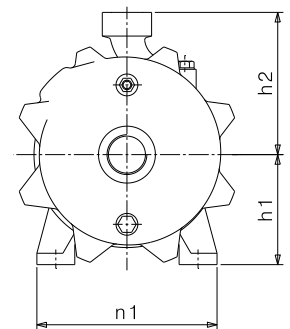
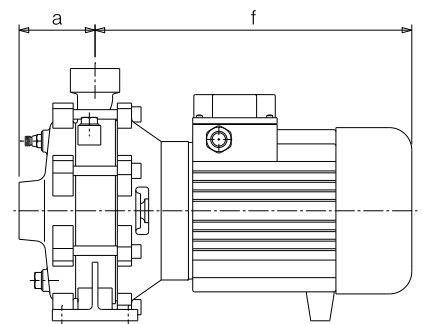
**Note:** M denotes single (mono) phase. T denotes three (tri) phase.

ELECTRICAL DATA

Code	Current Type	kW	Hp	Amps	RPM/min	Capacitor (µF)	Insulation Class	Voltage (V)	Frequency (Hz)
PUSAERFC25-2EM	Single	1.5	2	12	2850	40	F	230	50
PUSAERFC25-2ET	Three	1.5	2	9.1/5.3	2850	-	F	230/400	50
PUSAERFC25-2BM	Single	2.2	3	15.5	2850	45	F	230	50
PUSAERFC25-2BT	Three	2.2	3	10/5.8	2850	-	F	230/400	50
PUSAERFC25-2AT	Three	3	4	12/7	2850	-	F	230/400	50
PUSAERFC30-2DT	Three	4	5.5	13.4/7.8	2850	-	F	400/690	50
PUSAERFC30-2BT	Three	5.5	7.5	11/6.4	2850	-	F	400/690	50
PUSAERFC30-2AT	Three	7.5	10	16/9.3	2850	-	F	230/400	50

DIMENSIONS

Code	a (mm)	f (mm)	n1 (mm)	h1 (mm)	h2 (mm)	Approx. Weight (kg)
PUSAERFC25-2EM	79	290	190	115	150	29.5
PUSAERFC25-2ET	79	290	190	115	150	29.5
PUSAERFC25-2BM	79	293	190	115	150	32
PUSAERFC25-2BT	79	293	190	115	150	32
PUSAERFC25-2AT	79	425	190	115	150	37
PUSAERFC30-2DT	49	293	240	116	174	52
PUSAERFC30-2BT	92	474	240	132	170	74
PUSAERFC30-2AT	92	474	240	132	170	76



Construction materials:

- Cast iron pump body
- Impeller brass
- Mechanical seal BVPFF (FC25), Q1VEGG (FC30)
- Stainless steel (ASI 420) shaft

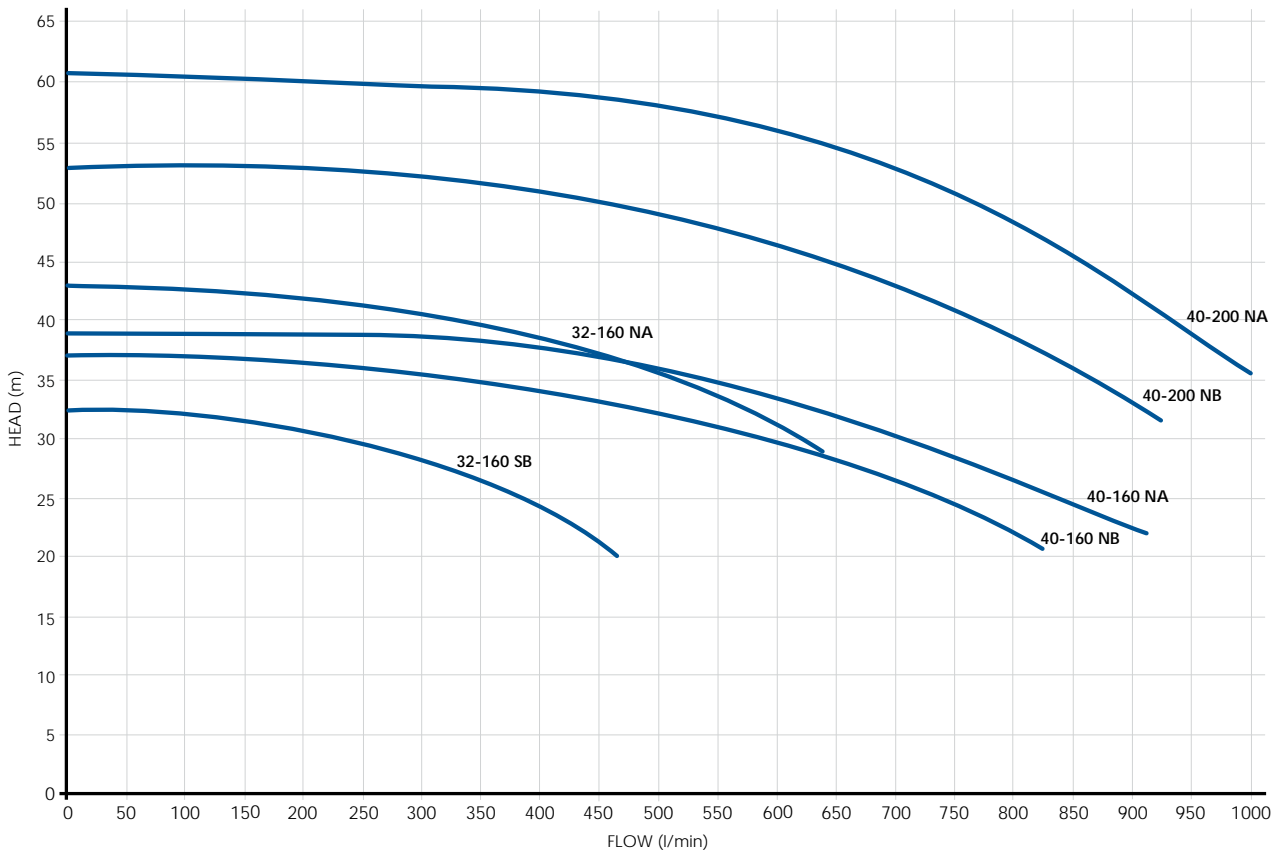
Specifications:

- Liquid temperature -15 to +70 °C
- Max ambient temperature +40 °C
- Protection rating IP55
- Flooded suction only
- Made in Italy

Installation:

- Upon installation always prime the pump body before first start up. Pump can be installed with the motor shaft in either vertical or horizontal position. In the case of vertical installations, the motor must always be positioned above the pump body.

- **Pump type:** end suction mono block pump with compact design to minimise footprint and costs for clean water.
- Integral centrifugal.
- Heavy duty construction with back pull-out design, the motor unit and the rotating part of the pump can be removed without having to remove the pump body from the plant pipes.
- Energy saving: high-efficiency hydraulic design.
- **Applications:** used in a wide range of environments across farm, industrial and civil applications. Wash down bays, recirculation, water treatment processes, irrigation, cooling, washing processes, pressure boosting, water supply, pressurisation, feeding farm troughs, industrial water supply, horticultural & agricultural irrigation, civil & domestic water transfer, or applications requiring medium pressure and medium to high flow rates.



PERFORMANCE GUIDE						
Code	Max Head (m)	Max Flow (l/min)	Max Pressure (PSI)	Inlet (mm)	Outlet (mm)	Price List
PUSAERIR32-160SBT	32.5	467	46	50	32	\$2,006
PUSAERIR32-160NAT	43	633	41	50	32	\$2,273
PUSAERIR40-160NB/BT	36.5	583	51	65	40	\$2,220
PUSAERIR40-160NAT	39	917	55	65	40	\$2,400
PUSAERIR40-200NBT	53	917	75	65	40	\$2,814
PUSAERIR40-200NAT	61	1000	86	65	40	\$3,746

ELECTRICAL DATA

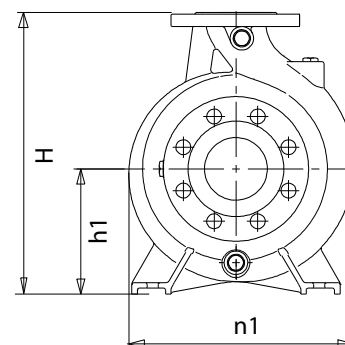
Code	Current Type	kW	Hp	Amps	RPM/min	Insulation Class	Voltage (V)	Frequency (Hz)
PUSAERIR32-160SBT	Three	3	4	6.1	2900	F	230/400	50
PUSAERIR32-160NAT	Three	5.5	7.5	10.7	2900	F	400	50
PUSAERIR40-160NB/BT	Three	4	5.5	8.1	2900	F	230/400	50
PUSAERIR40-160NAT	Three	5.5	7.5	10.3	2900	F	230/400	50
PUSAERIR40-200NBT	Three	7.5	10	15.5	2900	F	400	50
PUSAERIR40-200NAT	Three	11	15	21.2	2900	F	400	50

SAER IR FLANGE KITS

Code	Description	Model	List Price
PUSAERIR32FK	Flange kit (flanges, bolts and gaskets)	IR32	\$170
PUSAERIR40FK	Flange kit (flanges, bolts and gaskets)	IR40	\$195

DIMENSIONS

Code	H (mm)	h1 (mm)	n1 (mm)	a (mm)	f (mm)	Approx. Weight (kg)
PUSAERIR32-160SBT	292	132	240	80	459	42
PUSAERIR32-160NAT	292	132	240	80	450	53
PUSAERIR40-160NB/BT	292	132	240	80	426	55
PUSAERIR40-160NAT	292	132	240	80	450	59
PUSAERIR40-200NBT	340	160	265	100	504	83
PUSAERIR40-200NAT	340	160	265	100	504	85



Construction materials:

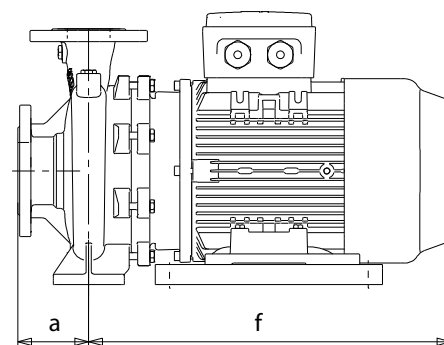
- Cast iron pump body
- Impeller brass except IR32-160S cast steel
- Mechanical seal 20-28mm Q1VEGG or 38-50mm BVEGG
- Stainless steel (ASI 420) shaft

Specifications:

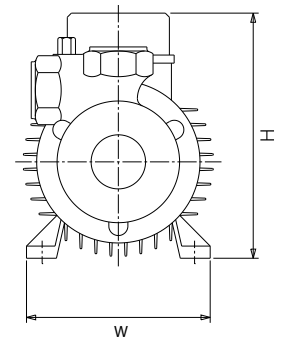
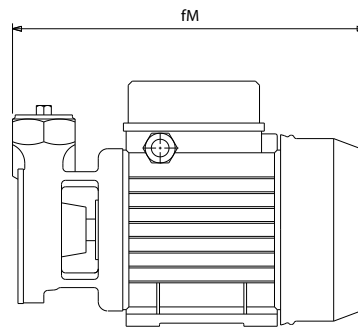
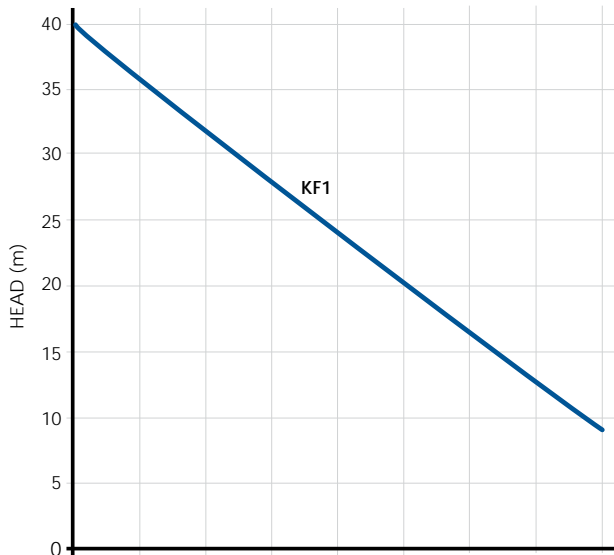
- Requires flange kit
- Liquid temperature -15 to +90 °C
- Max ambient temperature +40 °C
- Protection rating IP55
- Suction lift, please contact our team for details. 06 354 3651.
- Made in Italy

Installation:

- Can be installed with the motor shaft in either vertical or horizontal position. In the event of vertical installations, the motor must always be positioned above the pump body.



- **Pump type:** peripheral impeller pump for clean water.
- Several radial paddles which gives more energy to the pumped liquid.
- The design of paddles give the fluid a fast radial recycling motion between the paddles of the impeller and the pump body.
- This enables the fluid to increase progressively the pressure during its way from the inlet to the outlet, obtaining a regular and not pulsating flow and high pressures with quite slopping curves.
- **Applications:** used in domestic systems, general water supply, gardening, mist irrigation, draining/filling tanks and for increasing the pressure of mains water supply systems, shower boosting.



## PERFORMANCE GUIDE

Code	Max Head (m)	Max Flow (l/min)	Max Pressure (PSI)	Inlet (mm)	Outlet (mm)	Price List
PUSAERKF1M	40	40	13	25	25	\$312

## ELECTRICAL DATA

Code	Current Type	kW	Hp	Amps	RPM/min	Capacitor (µF)	Insulation Class	Voltage (V)	Frequency (Hz)
PUSAERKF1M	Single	0.37	0.5	2.3	2580	10	F	230	50

## DIMENSIONS

Code	H (mm)	h1 (mm)	n1 (mm)	a (mm)	f (mm)	Approx. Weight (kg)
PUSAERKF1M	166	109	120	23	225	5.5

**Note:** M denotes single (mono) phase. T denotes three (tri) phase.

**Construction materials:**

- Cast iron pump body
- Impeller brass
- Mechanical seal BVPFF
- Stainless steel (ASI 420) shaft

**Specifications:**

- Liquid temperature -15 to +70 °C
- Max ambient temperature +40 °C
- Protection rating IP44
- Made in Italy

**Installation:**

- Upon installation always prime the pump body first before start up. Pump must be installed with the motor shaft in the horizontal position.
- Flooded suction INSTALL only

**AUTOMATIC PRESSURISATION SYSTEM WITH PRESSURE/FLOW CONTROLLER**

A complete pump set includes a KF1 pump and Brio 2000 controller.

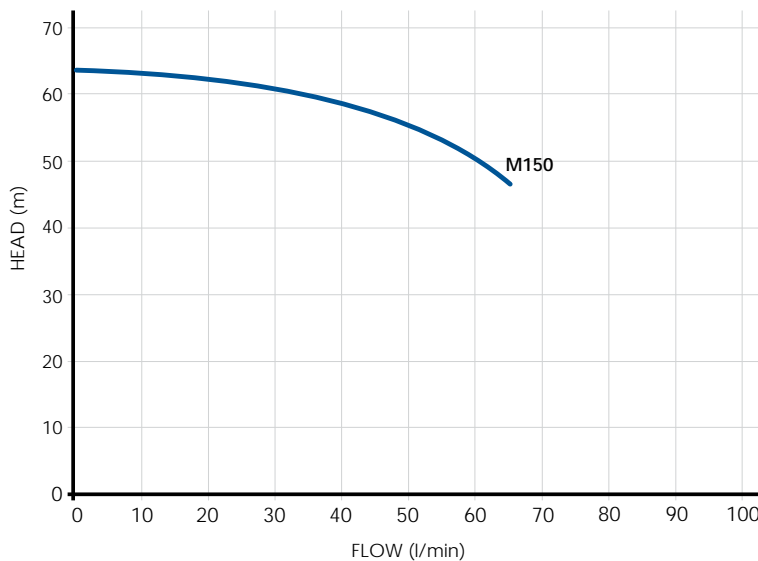
**Brio 2000 Controller**

- An electronic device for control and protection of the pump up to 1.5kW (12A).
- Compact unit provides fluctuation free output pressure and ensures the pump is protected against running dry.
- Replaces traditional pump set up of pressure switch, pressure tank, gauge and non-return valve. No pressure tank required.
- Made in Italy.



KF1 WITH BRIO PUMP SET						
Code	Connections (inch)	H (mm)	fM (mm)	W (mm)	Approx. Weight (kg)	Price List
PUSAERKF1COMBR	1 Male	415	248	120	6	\$412

- **Pump type:** self priming pump with built in injector for clean water.
- Integral centrifugal. The liquid through the impeller is only partially directed to the outlet, the remaining liquid is recirculated through the venturi system integrated into the pump body. This setup facilitates the self-priming function.
- During the initial start-up, it is sufficient to fill the pump body with liquid, as it circulates through the venturi, moves air from the suction side to the discharge side, expelling it through the delivery piping. This creates a vacuum, drawing the liquid up through the suction piping and initiating the priming process.
- The venturi system allows these pumps to operate without being affected by the presence of air in the pumped liquid.
- **Applications:** general water supply, lifestyle, garages with toilet and hand basin, horticultural irrigation, mist irrigation, dairy, farm and industrial applications.



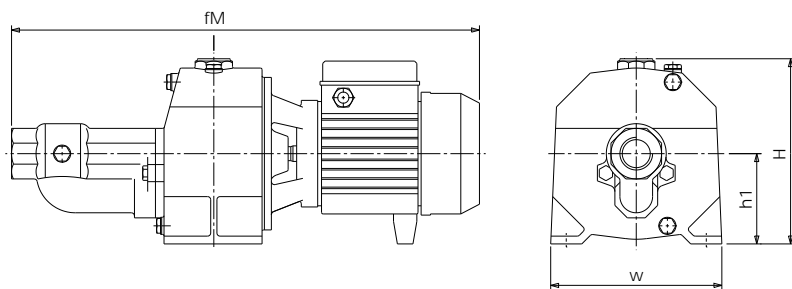
## PERFORMANCE GUIDE

Code	Max Head (m)	Max Flow (l/min)	Max Pressure (psi)	Max Suction Depth (m)	Inlet (mm)	Outlet (mm)	Price List
PUSAERM150M	66	67	93	5	40	25	\$1,116
PUSAERM150T	66	67	93	5	40	25	\$1,116

## ELECTRICAL DATA

Code	Current Type	kW	Hp	Amps	RPM/min	Capacitor (µF)	Insulation Class	Voltage (V)	Frequency (Hz)
PUSAERM150M	Single	1.1	1.5	9.5	2850	31.5*	F	230	50
PUSAERM150T	Three	1.1	1.5	6/3.5	2850	-	F	230/400	50

Note: M denotes single (mono) phase. T denotes three (tri) phase. \* Can use a 30 µF capacitor. \*\* M200 available on request



### DIMENSIONS

Code	fM (mm)	W (mm)	H (mm)	h1 (mm)	Approx. Weight (kg)
PUSAERM150M	601	34	235	114	28
PUSAERM150T	601	34	235	114	30

#### Construction materials:

- Cast iron pump body
- Impeller either thermoplastic resin or brass
- Mechanical seal BVPFF
- Stainless steel (ASi 420) shaft

#### Specifications:

- Liquid temperature -15 to +50 °C
- Max ambient temperature +40 °C
- Protection rating IP44
- Suction lift up to 8m in ideal conditions
- Made in Italy

#### Installation:

- Upon installation always prime the pump body first before start up. Pump must be installed with the motor shaft in the horizontal position.

- We stock a range of components and parts for Saer pumps.



Seals



Fan Blade

## SAER MECHANICAL SEALS

Code	Description	Models	ID (mm)	OD (mm)	W (mm)	List Price
SESAERT55-13MMX26MM	Mechanical seal	M80	13	26	5.5	\$23.85
SESAERT55-15MMX29.5MM	Mechanical seal	FC25	15	29.5	8	\$44.10
SESAERT55-17MMX42MM	Mechanical seal	BP	17	42	8	\$49.25
SESAERR3-18MMX31MM	Mechanical seal	M150, M300, M400	18	31	9	\$76.60
SESAERT16-20MMX31MM	Mechanical seal	FC30, IR32, IR40	20	31	10	\$157.75

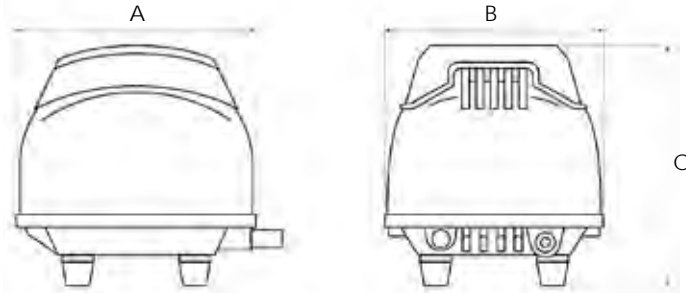
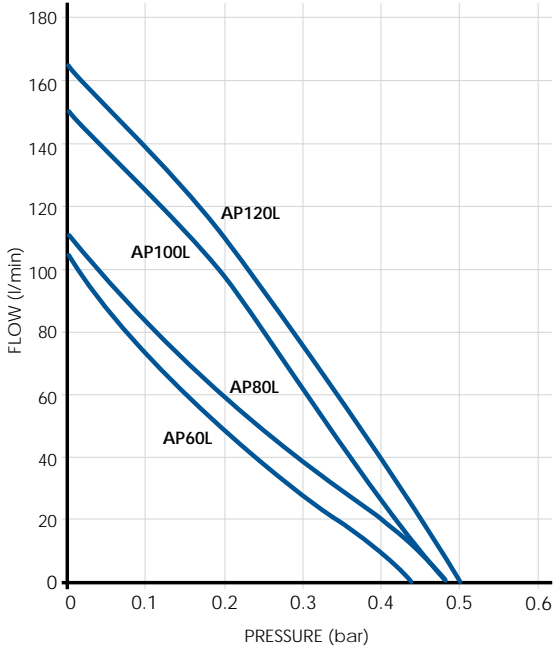
## SAER FAN BLADE - M80

Code	Description	Model	ID (mm)	OD (mm)	Blade OD (mm)	No. of Blades	List Price
PUSAERM80FAN	Fan blade	M80	15	102	131	10	

## MOTOR RUNNING - SPADE TERMINALS

Code	µF	Dimensions (mm)		Max Volts (V)	List Price
		L	D		
CAPT10R	10	78	35	450	\$13
CAPT20R	20	88	38	450	\$16
CAPT25R	25	88	42	450	\$19
CAPT30R	30	4	45	450	\$22
CAPT40R	40	108	45	450	\$28
CAPT45R	45	92	52	450	\$32
CAPT50R	50	117	50	450	\$36

- Durable and efficient high volume air pump
- Ideal for aerating sewage, wastewater, septic tanks and fish tanks
- Magnetic diaphragm operation without oil or grease provides a clean air solution
- Quiet operation and low energy consumption
- Single phase



## PERFORMANCE GUIDE

Code	Max Air Flow (L/min)	Max Pressure (bar)	Sound Level (dB)	Voltage (V)	Current (A)	Watts (W)
PUSHIAP60L	106	0.41	38	230	0.6	58
PUSHIAP80LE	112	0.48	39	230	0.8	83
PUSHIAP100L	150	0.48	41	230	1.0	120
PUSHIAP120L	165	0.5	42	230	1.1	120

## DIMENSIONS + WEIGHTS

Code	A (mm)	B (mm)	C (mm)	Weight (kg)
PUSHIAP60L	204	174	200	6.7
PUSHIAP80LE	204	174	200	6.8
PUSHIAP100L	248	205	245	8.3
PUSHIAP120L	248	205	245	8.3

## PARTS

Code	Component	Pump
PUSHIAP-AD60	Actuating Rod	AP60
PUSHIAP-CB60	Chamber Block	AP60
PUSHIAP-DP60	Diaphragm Base Block	AP60



- Electric motors available for with 4" bore hole pump
- Single or three phase motors available
- Motor components available

## MOTOR ELECTRICAL DATA

Code	Current Type	kW	Hp	Amps	RPM	Capacitor (µF)	Weight (kg)
PUFRK005M	Single	0.37	0.55	3	2850	16	7.2
PUFRK005MI	Single PSC	0.37	0.55	4.1	2850	16	7.2
PUFRK007MI	Single PSC	0.55	0.75	6.5	2850	20	7.2
PUFRK005T	Three	0.37	0.55	1.1	2850	-	6.3
PUFRK007T	Three	0.55	0.75	1.6	2850	-	7.2
PUFRK010T	Three	0.75	1	2.1	2850	-	8
PUFRK015T	Three	1.1	1.5	3	2850	-	9.3
PUFRK020T	Three	1.5	2	4	2850	-	10.3
PUFRK030T	Three	2.2	3	5.9	2850	-	12
PUFRK040T	Three	3	4	7.8	2850	-	14.3
PUFRK055T	Three	4	5.5	10	2850	-	21.8
PUFRK075T	Three	5.5	8	13.7	2850	-	28.7

## MOTOR DIMENSIONS

Code	kW	W	L	Weight (kg)
PUFRK005M	0.37	96	242	7.3
PUFRK005MI	0.37	96	242	7.2
PUFRK005T	0.37	96	242	6.3
PUFRK007MI	0.55	96	271	7.2
PUFRK007T	0.55	96	271	7.2
PUFRK010T	0.75	96	251	8
PUFRK015T	1.1	96	297	9.3
PUFRK020T	1.5	96	321	10.3
PUFRK030T	2.2	96	353	12
PUFRK040T	3	96	408	14.3
PUFRK055T	4	96		21.8
PUFRK075T	5.5	96		28.7

- We have a range of off the shelf components to support the installation of pumps.



Bottom Entry

## COMPONENTS - PRESSURE CONTROL (AUTOFLOW)

Code	Description	Start Up Pressure (bar)	kW	Amps (A)	Inlet (mm)	List Price
PUPRECON1.5barGPS	Press Control 1.5 Bar 1.5kW	1.5	1.5	10	25	\$245
PUPRECONMASS2.2KWM	Masscontrol 2.2Bar 2.2kW 32mm	2.2	2.2	16	32	\$372

## COMPONENTS - PRESSURE GAUGE

Code	Description	Max Pressure (bar)	List Price
PUPRECONGAUGE	Pressure Control Gauge	12	\$29

PUDELPG2.5BELF	2.5 Bar 63mm Bottom entry L-fill Gauge	2.5	\$48
PUDELPG10BELF	10 Bar 63mm Bottom entry L-fill Gauge	10	\$48
PUDELPG14BELF	14 Bar 63mm Bottom entry L-fill Gauge	14	\$48
PUDELPG20BELF	20 Bar 63mm Bottom entry L-fill Gauge	20	\$48

PUDELPG2.5RELF	2.5 Bar 63mm Rear (back) entry L-fill Gauge	2.5	\$48
PUDELPG10RELF	10 Bar 63mm Rear (back) entry L-fill Gauge	10	\$48
PUDELPG14RELF	14 Bar 63mm Rear (back) entry L-fill Gauge	14	\$48

## COMPONENTS - PRESSURE SWITCHES

Code	Description	Current Type	Max Pressure (bar)	Inlet (inch)	List Price
PUPRESW06barM	Pressure switch - Female	Single	6	1/4	\$58
PUPRESW12barM	Pressure switch - Female	Single	12	1/4	\$61
PUPRESW12barT	Pressure switch - Female	Three	12	1/4	\$86

PUPRESWSQUARED6barM	Pressure switch - Square, Female	Single	6	1/4	\$46
---------------------	----------------------------------	--------	---	-----	------

PUPRESPMS-3W	Combination pressure switch, gauge + tee	Single	5	1/4	\$55
--------------	--	--------	---	-----	------



# ACCESSORIES + COMPONENTS

Forced Ventilation, Motor Slide Rails, Capacitive Sensor, Capacitors, Enclosure Units and Consumables.

- Standard FBI type
- Connectable in either single or three phase
- IP66
- Three phase 230/400V
- Single phase 230V

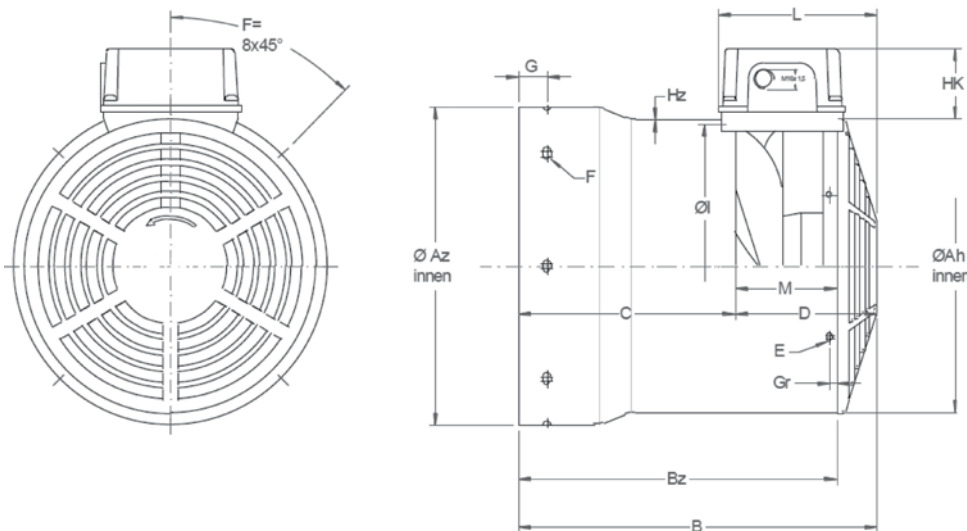


## FORCED VENTILATION UNIT

Code	Frame Size	Air Volume (m3/min)	Input (W)	Speed (U/min)	Fan Current (50Hz)	Noise (dB)	Approx. Weight (Kg)	List Price
KMCK063	FBI 063 MW	84 / 94	31 / 39	2850 / 3250	0.11 / 0.12 / 0.07	54 / 58	2	POA
KMCK071	FBI 071 MW	109 / 123	32 / 42	2790 / 3150	0.10 / 0.11 / 0.06	60 / 64	2.2	\$930
KMCK080	FBI 080 MW	148 / 168	33 / 45	2600 / 2900	0.11 / 0.11 / 0.06	63 / 66	2.4	\$1,070
KMCK090	FBI 090 MW	285 / 331	92 / 88	2900 / 3420	0.29 / 0.38 / 0.22	67 / 71	2.9	\$1,111
KMCK100	FBI 100 MW	340 / 386	92 / 97	2820 / 3200	0.28 / 0.37 / 0.22	68 / 71	3.3	\$1,147
KMCK112	FBI 112 MW	474 / 520	97 / 112	2780 / 3050	0.28 / 0.35 / 0.20	70 / 73	3.5	\$1,197
KMCK132	FBI 132 MW	890 / 1047	188 / 188	2840 / 3200	0.52 / 0.64 / 0.37	75 / 77	4.6	\$1,399
KMCK160	FBI 160 MW	1700 / 1950	369 / 425	2730 / 2950	1.05 / 1.28 / 0.74	79 / 83	6.8	\$1,624
KMCK180	FBI 180 MW	1850/2000	369/425	2760/3100	1.05/1.28/0.74	81/86	7.2	\$1,970

## FORCED VENTILATION UNIT - DIMENSIONS

Frame Size	Az	Ah	B	Bz	C	D	M	E	F	G	Gr	Hz	HK	I	L
FBI 063 MW	121	121	155	135	60	95	75	M5	4.8x6	14	5	1.5	53	118	107
FBI 071 MW	136	136	155	135	60	95	75	M5	4.8x6	10	5	1.5	53	132	107
FBI 080 MW	154	154	158	138	63	95	75	M5	6x9	14	5	1.5	53	150	107
FBI 090 MW	174	174	165	135	60	105	75	M5	6x9	16	5	1.5	53	169	117
FBI 100 MW	192	192	170	140	65	105	75	M5	6x9	18	5	1.5	53	187	117
FBI 112 MW	216	216	175	145	70	105	75	M5	6x9	16	5	1.5	53	210	117
FBI 132 MW	255	255	202	162	75	127	87	M5	6x9	23	5	1.5	54	250	127
FBI 160 MW	307	307	207	207	95	152	112	M5	7x14	25	5	1.5	54	300	127
FBI 180 MW	345	307	262	222	110	152	112	M5	7x14	35	5	1.5	54	300	127



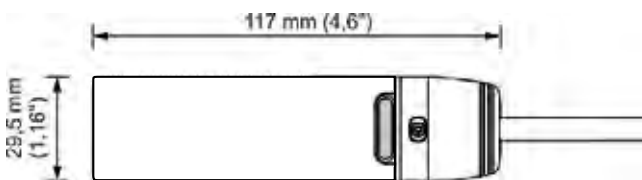
NB: diagram not to scale

- For general detection of feed, grain, and solids
- Great functionality and easy to use
- Plastic outer casing provides maximum protection for the internal electronics, from humidity and other harsh external influences
- IP69K. NEMA 1, 3, 4, 6, 12, 13

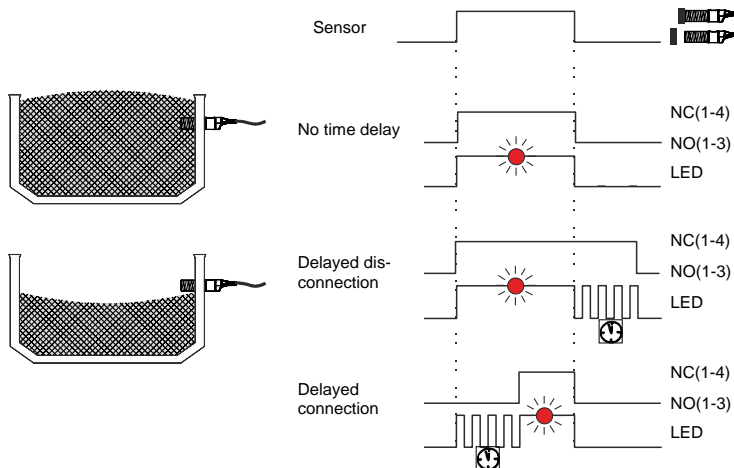


TECHNICAL DATA			
Supply Voltage	10V - 30V AC/DC		90V - 265V AC or 20 - 280V AC/DC
Frequency	47Hz - 63Hz		
Relay Switch MAX Voltage	250V AC		
Relay Switch MAX Power	Ohms load 5A		Inductive load 2A
Safety	Relay switches & supply voltage are galvanically seperated		Test voltage 4kV AC
Distance of Activation	Adjustable 0 - 15mm depending on material		Factory setting for grain
Time Delay	Adjustable 0 - 600 sec		Factory setting 30 sec
Ambient Temperature	Operation	-20 °C to +70 °C	Storage -30 °C to +80 °C
Cable Details	5 x 0.5 mm <sup>2</sup>		Length 2m
Approvals	CE	C - UL	UL

DOL SENSORS (44R SERIES)							
Code	Dimensions	Delayed Disconnection	Delayed Connection	Sensitivity	Run Timer	Temperature Control	List Price
DOL 44R	117 x 30mm	•	•	•	•		\$295
DOL 46R	117 x 30mm	•	•	•	•	•	\$385



NB: diagram not to scale

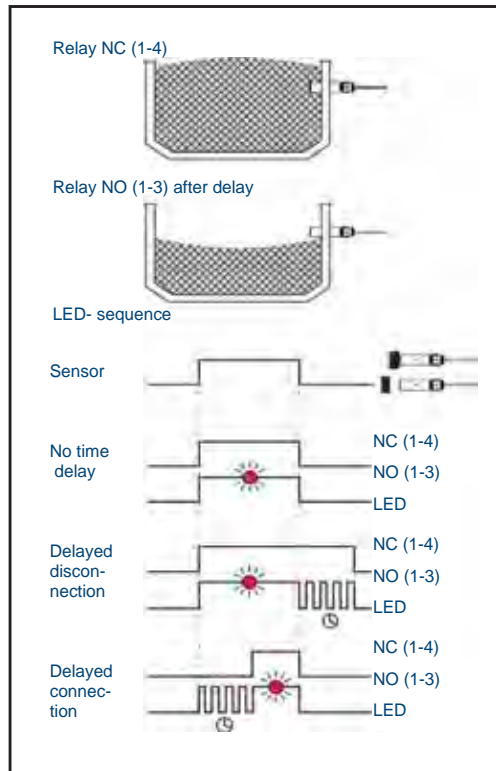
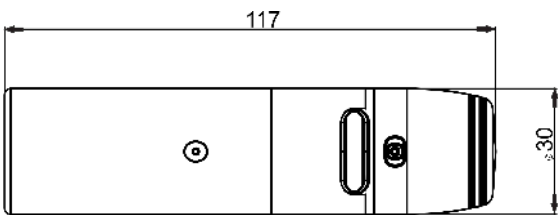


- For general detection of feed, grain, and solids
- Great functionality and easy to use
- Plastic outer casing provides maximum protection for the internal electronics, from humidity and other harsh external influences
- IP69K. NEMA 1, 3, 4, 6, 12, 13



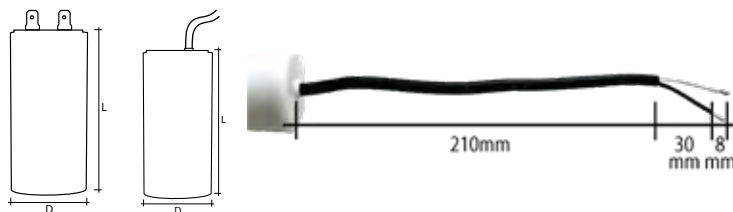
TECHNICAL DATA			
Supply Voltage	10V - 30V AC/DC		90V - 265V AC
Frequency	47Hz - 63Hz		
Relay Switch MAX Voltage	250V AC		
Relay Switch MAX Power	Resistive load 5A		Inductive load 2A
Safety	Relay switches & supply voltage are galvanically seperated		Test voltage 4kV AC
Distance of Activation	Adjustable 0 - 15mm depending on material		
Time Delay	ON: Adjustable 0 - 600 sec OFF: Adjustable 0 - 600 sec		
Ambient Temperature	Operation	-20 °C to +70 °C	Storage -30 °C to +80 °C
Cable Details	5 x 0.5 mm2		Length 2m
Approvals	CE		C - UL UL

DOL SENSORS (i-44R SERIES)		
Code	Dimensions	List Price
DOL i44R	110 x 30mm	\$335



Note: drawings are not to scale

- Supplied with exposed tails
- Lead length 210mm



## MOTOR RUNNING - SPADE TERMINALS

Code	µF (450VAC)	Dimensions (mm)		Max Volts (V)	List Price
		L	D		
CAPT02R	2	78	32	450	\$7
CAPT04R	4	78	32	450	\$7
CAPT06R	6	78	32	450	\$10
CAPT08R	8	78	35	450	\$11
CAPT10R	10	78	35	450	\$13
CAPT12R	12	78	35	450	\$14
CAPT16R	16	88	38	450	\$15
CAPT20R	20	88	38	450	\$16
CAPT25R	25	88	42	450	\$19
CAPT30R	30	4	45	450	\$22
CAPT35R	35	108	45	450	\$24
CAPT40R	40	108	45	450	\$28
CAPT50R	50	117	50	450	\$36
CAPT60R	60	117	50	450	\$42
CAPT70R	70	132	54	450	\$48



## MOTOR RUNNING - LEAD

Code	µF (450VAC)	Dimensions (mm)		Max Volts (V)	List Price
		L	D		
CAPL02R	2	60	32	450	\$8
CAPL04R	4	60	32	450	\$8
CAPL06R	6	67	34	450	\$10
CAPL08R	8	69	34	450	\$12
CAPL10R	10	69	34	450	\$13
CAPL12R	12	69	34	450	\$15
CAPL16R	16	78	38	450	\$17
CAPL20R	20	78	38	450	\$21
CAPL25R	25	78	42	450	\$26
CAPL30R	30	88	45	450	\$36
CAPL35R	35	98	45	450	\$38
CAPL40R	40	98	45	450	\$40
CAPL50R	50	108	51	450	\$55
CAPL60R	60	108	51	450	\$60
CAPL70R	70	123	54	450	\$65



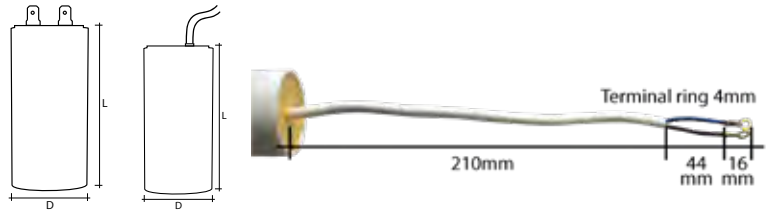
Capacitors and Overload Relays Order Form

Scan the QR code to download the form.



Note: drawings are not to scale

- Supplied with ring terminal (4mm)
- Lead length 210mm



## MOTOR RUNNING - SPADE TERMINALS + STUD MOUNT

Code	µF (450VAC)	Dimensions (mm)		Max Volts (V)	List Price
		L	D		
CAPT02R	2	55	32	450	\$7
CAPT04R	4	55	32	450	\$7
CAPT06R	6	55	32	450	\$10
CAPT08R	8	58	36	450	\$11
CAPT10R	10	58	36	450	\$13
CAPT12.5R	12.5	71	36	450	\$15
CAPT16R	16	70	40	450	\$15
CAPT20R	20	70	40	450	\$16
CAPT25R	25	75	45	450	\$19
CAPT30R	30	75	45	450	\$22
CAPT35R	35	92	45	450	\$24
CAPT40R	40	92	45	450	\$28
CAPT45R	45	92	52	450	\$32
CAPT50R	50	117	55	450	\$36
CAPT60R	60	117	55	450	\$42
CAPT70R	70	117	55	450	\$48



## MOTOR RUNNING - LEAD + STUD MOUNT

Code	µF (450VAC)	Dimensions (mm)		Max Volts (V)	List Price
		L	D		
CAPL02R	2	55	32	450	\$8
CAPL04R	4	55	32	450	\$8
CAPL06R	6	55	32	450	\$10
CAPL08R	8	58	36	450	\$12
CAPL10R	10	58	36	450	\$13
CAPL12.5R	12.5	72	36	450	\$15
CAPL16R	16	70	40	450	\$17
CAPL20R	20	70	40	450	\$21
CAPL25R	25	75	45	450	\$26
CAPL30R	30	75	45	450	\$36
CAPL35R	35	92	45	450	\$38
CAPL40R	40	92	45	450	\$40
CAPL45R	45	92	50	450	\$48
CAPL50R	50	117	55	450	\$55
CAPL60R	60	117	55	450	\$60
CAPL70R	70	117	55	450	\$65



## STUD MOUNT

Code	Stud	Washer	Nut	List Price
CAPSTUD	1	1	1	\$2



## Motor running

- Supplied with permanent stud mountbolt
- M8 thread
- Lead length 145mm



## MOTOR RUNNING - SPADE TERMINALS + PERMANENT STUD MOUNT

Code	µF (450VAC)	Dimensions (mm)			Max Volts (V)	List Price
		L	D	B		
CAPT12R	12	75	36	84	450	\$15
CAPT16R	16	75	36	84	450	\$15
CAPT20R	20	75	39	84	450	\$16
CAPT25R	25	98	44	106	450	\$19
CAPT30R	30	98	44	106	450	\$22
CAPT35R	35	98	44	106	450	\$24
CAPT40R	40	98	44	106	450	\$28



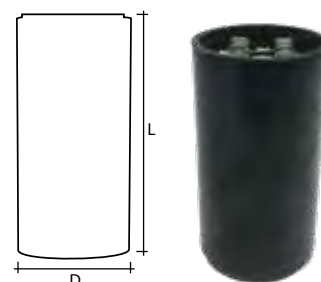
## MOTOR RUNNING - LEAD + PERMANENT STUD MOUNT

Code	µF (450VAC)	Dimensions (mm)			Max Volts (V)	List Price
		L	D	B		
CAPL04R	4	60	31	70	450	\$8
CAPL07R	7	74	35	84	450	\$11
CAPL08R	8	74	35	83	450	\$12
CAPL10R	10	74	35	83	450	\$13
CAPL12R	12	74	35	83	450	\$15
CAPL16R	16	74	35	83	450	\$17
CAPL20R	20	74	39	84	450	\$21
CAPL25R	25	97	44	106	450	\$26
CAPL30R	30	97	44	106	450	\$36
CAPL40R	40	97	44	105	450	\$40
CAPL60R	60	121	54	131	450	\$60



## MOTOR STARTING - SPADE TERMINALS

Code	µF (250VAC)	Dimensions (mm)		Max Volts (V)	List Price
		L	D		
CAPS064-77	64 - 77	70	36	250	\$25
CAPS088-108	88 - 108	70	36	250	\$30
CAPS108-130	108 - 130	70	36	250	\$40
CAPS145-174	145 - 174	86	36	250	\$40
CAPS161-193	161 - 193	86	36	250	\$40
CAPS189-227	189 - 227	86	36	250	\$45
CAPS216-259	216 - 259	86	36	250	\$45
CAPS270-324	270 - 324	86	46	250	\$50
CAPS324-380	324 - 380	86	46	250	\$50
CAPS340-408	340 - 408	86	46	250	\$55



### Capacitors and Overload Relays Order Form

Scan the QR code to download the form.



- Range of accessories for capacitors

CAPACITOR ACCESSORIES			
Code	Description	Size (mm)	List Price
CAPCOVER30	Terminal cover for motor running	30	\$4.65
CAPCOVER35	Terminal cover for motor running	35	\$4.65
CAPCOVER40	Terminal cover for motor running	40	\$4.65
CAPCOVER45	Terminal cover for motor running	45	\$4.65
CAPCOVER50	Terminal cover for motor running	50	\$4.65
CAPCOVER55	Terminal cover for motor running	55	\$4.65

CAPSTUD	Stud, washer, nut	-	\$2.00
---------	-------------------	---	--------

CAPBRACKET	Capacitor bracket for start cap 125 - 156 to 340-408	-	\$18.50
------------	--	---	---------

### Capacitors and Overload Relays Order Form

Scan the QR code to download the form.



- Protects electric motors against overloads and phase failure



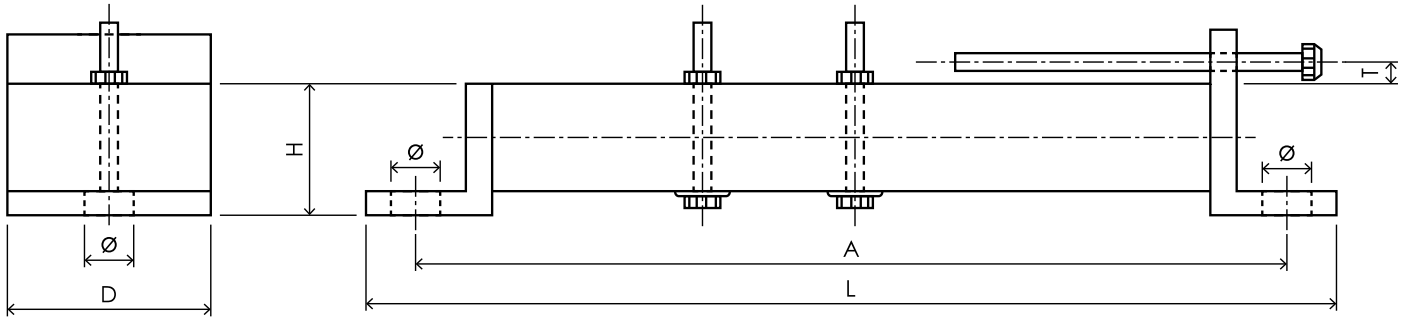
THERMAL OVERLOAD RELAY		
Code	Amps	List Price
OL03AWEBER	3	\$26
OL04AWEBER	4	\$26
OL05AWEBER	5	\$26
OL06AWEBER	6	\$26
OL07AWEBER	7	\$26
OL08AWEBER	8	\$26
OL09AWEBER	9	\$26
OL10AWEBER	10	\$36
OL12AWEBER	12	\$36
OL13AWEBER	13	\$36
OL14AWEBER	14	\$36
OL15AWEBER	15	\$36
OL16AWEBER	16	\$45
OL18AWEBER	18	\$46
OL20AWEBER	20	\$59

### Capacitors and Overload Relays Order Form

Scan the QR code to download the form.



- Fabricated steel galvanised slide rails
- For ease of "v" belt alignment and tensioning



NB: diagram not to scale

## SLIDE RAILS

Code	L	Ø	H	D	T	A	Bolt Size	Frame Size	BT	XC Motor Foot Bolts	List Price
SR0809	355	10	30	30	6	325	M10 x 150	71	90	M8 x 40	\$200
								80	83		
								90	67		
SR1013	470	12	44	45	6	430	M10 x 200	100	171	M10 x 60	\$260
								112	137		
								132	106		
SR1618	615	15	64	63	10	565	M12 x 220	160	160	M12 x 80	\$366
								180	125		
SR2022	785	19	72	82	12	725	M16 x 280	200	210	M16 x 110	\$778
								225	140		
SR2528	945	24	92	102	16	885	M20 x 300	250	250	M20 x 130	\$1,063
								280	190		
SR3100	1215	28	100	100	20	1115	M20 x 450	315	330	M24 x 150	\$1,635

- RoHS
- Polyester enclosure
- IP65
- 30% fibre glass

FIBRE GLASS - LOCKABLE		
Code	Dimensions mm (H x W x D)	List Price
LETTIP430	400 x 300 x 200	\$158
LETTIP540	500 x 400 x 200	\$230
LETTIP650	600 x 500 x 230	\$317



FIBRE GLASS - LOCKABLE + WINDOW		
Code	Dimensions mm (H x W x D)	List Price
LETTX430	400 x 300 x 200	\$172
LETTX540	500 x 400 x 200	\$246
LETTX650	600 x 500 x 230	\$352



STAINLESS STEEL - GEAR PLATE		
Code	Dimensions mm (H x W x D)	List Price
LETSS280210165	280 x 210 x 165	\$141
LETSS430330165	430 x 330 x 165	\$258
LETSS530430200	530 x 430 x 200	\$422



- CorrosionX has a range of product coating solutions for a wide range of industrial applications. From corrosion protection and lubrication through to concrete remover and fleet maintenance. Available in a range of sizes.



CORROSION X		
Code	Description	List Price
CORRX90101	CorrX Red Aerosol 6oz	\$19.99
CORRX90102	CorrX Red Aerosol 16oz	\$39.99
CORRX91002	CorrX Red Trigger 16oz	\$39.99
CORRX94004	CorrX Red Bulk 1 gallon	\$281.19
CORRX90104	CorrX Green HD Aerosol 12oz	\$35.99
CORRX97102	CorrX Orange XD Aerosol 16oz	\$39.99
CORRX97004	CorrX Orange XD 1 gallon	\$273.00
CORRX42004	CorrX All-Safe 1 gallon 3.7L	\$74.00
CORRX42005	CorrX All-Safe 5 gallon	\$311.06
CORRX1LTALL-SAFE	CorrX 1lt All-Safe bottle	\$90.00
CORRX32805	CorrX Tar-Get 5 gallon	\$288.00
CORRX1LTTAR-GET	CorrX 1lt Tar-Get bottle	\$90.00
CORRX1LTSILISPRAY	CorrX 1lt Silispray bottle	\$90.00
CORRX24005	CorrX Xtreme Clean 5 gallon	\$294.00
CORRX1LTXTREME	CorrX 1lt Xtreme Clean bottle	\$90.00
CORRX22705	CorrX Powerhouse 50 5 gallon	\$266.51
CORRX22805	CorrX Knockout 100 5 gallon	\$266.51
CORRX50010	CorrX For Guns 4oz	\$22.57
CORRX77000	CorrX Reel X 1oz	\$16.57
CORRX77001	CorrX SpeedX 1oz	\$18.99

### Consumables Order Form

Scan the QR code to download the form.





- We stock a range of CRC products for your workshop use. Have what you need on hand when you need it.



## CRC CLEANERS + DEGREASERS

Code	Description	List Price
CRC3412	CRC Exoff Cleaner 5L	\$44.95
CRC3413	CRC Exoff Cleaner 20L	\$171.90
CRC2016	CRC Contact Cleaner 500ml	\$20.47
CRC1719	CRC Orange Hand Cleaner 4L	\$59.76
CRC3070	CRC Glass Cleaner 500ml	\$11.98
CRC5089	CRC Brakleen 600gm	\$9.25
CRC5090	CRC Brakleen 4L	\$81.18
CRC5092	CRC Brakleen Fastdry 20L	\$120.61
CRC1751843	CRC Brakleen Water Based 500g	\$11.26
CRC5070	CRC Aeroclean Degr. 500ml	\$11.89

CRC2072	CRC Freeze Spray 300g	\$42.03
---------	-----------------------	---------

CRCSX128	CRC Salt Terminator 3.97L	\$81.63
CRCSX32M	CRC Salt Terminator 946ml	\$53.80

CRC3352	CRC Peel Off Label Remov 400ml	\$11.97
---------	--------------------------------	---------

CRC5069	CRC Oil Eater 400ml	\$13.30
---------	---------------------	---------

## CRC AUTOMOTIVE + SPECIALTY

Code	Description	List Price
CRC3081	CRC Belt Grip 400ml	\$16.24
CRC5021	CRC Gasket Stripper 300ml	\$18.76
CRC5040	CRC Engine Start 400ml	\$14.57
CRC5081	CRC Clean-R-Carb 500ml	\$15.19
CRC5097	CRC Battery Maintenance 300g	\$10.90

CRC3358	CRC Weld Anti Spatter 400ml	\$12.82
---------	-----------------------------	---------

CRC32454	CRC Ambersil Sil Release 400ml	\$14.84
----------	--------------------------------	---------

### Consumables Order Form

Scan the QR code to download the form.





- We stock a range of CRC products for your workshop use. Have what you need on hand when you need it.



## CRC CORROSION PROTECTION + COATINGS

Code	Description	List Price
CRC20395	CRC White Marker Pen	\$4.57
CRC20400	CRC Yellow Marker Pen	\$4.57

CRC5111	CRC Black It -Gloss 400ml	\$11.47
CRC5112	CRC Black It - Satin 400ml	\$11.47
CRC3371	CRC Paint It Safety Orange	\$11.50
CRC3380	CRC White Paint It Gloss 400ml	\$11.50
CRC2089	CRC Black Zinc 400ml	\$15.83
CRC2090	CRC White Zinc 400ml	\$15.83
CRC2097	CRC Blue Zinc 400ml	\$15.83
CRC2098	CRC Yellow Zinc 400ml	\$15.83
CRC2100	CRC Red Zinc 400ml	\$15.83
CRC2102	CRC Clear Zinc 400ml	\$15.83
CRC2087	CRC Bright Zinc 400ml	\$17.87
CRC2085	CRC Zinc It 350gm	\$20.15
CRC5131	CRC Hot Black Paint 400ml	\$18.75
CRC5132	CRC Hot Silver Paint 400ml	\$20.43
CRC2110	CRC Etch It Primer 400ml	\$14.32
CRC2091	CRC Prime It - Red Oxide 400ml	\$14.32

CRC3020	CRC Lanocote 500ml	\$15.51
CRC3097	CRC Long Life 300gm	\$19.10
CRC3098	CRC Long Life 4Lt	\$136.82

CRC1752719	CRC Evapo-Rust 1L (EVR1)	\$17.20
CRC1752720	CRC Evapo-Rust 5L (EVR5)	\$42.40
CRC1753336	CRC Evapo-Rust Spray Gel 500g	\$16.25

## CRC ADHESIVES + SOLVENTS

Code	Description	List Price
CRC4511	CRC ADOS E3 Epoxy Mortar	\$164.62
CRC8380	CRC ADOS Red Gasket 300g	\$22.87

CRC8017	CRC ADOS Spray Adhesive 575ml	\$17.95
---------	-------------------------------	---------

Consumables Order Form

Scan the QR code to download the form.





- We stock a range of CRC products for your workshop use. Have what you need on hand when you need it.



## CRC LUBRICANTS + PENETRANTS

Code	Description	List Price
CRC5035	CRC Tac 2 Adhesive Lub 400ml	\$18.32

CRC14072	CRC RTV Silicone Black 184gm	\$31.52
CRC8359	CRC Silicone 310ml	\$7.81
CRC8360	CRC RTV Neutral Silicone 300g	\$12.60
CRC3055	CRC 808 Silicone Spray 500ml	\$12.41
CRC3360	CRC Chain & Wire Lub 400ml	\$16.44

CRC3147	CRC Nickel Anti Seize 75ml	\$12.00
CRC3193	CRC Nickel Anti Seize 500ml	\$49.97

CRC5005	CRC 5.56 420ml	\$11.05
CRC5007	CRC 5.56 4Lt	\$49.97
CRC5003	CRC 5.56 Non Flammable 550ml	\$11.85
CRC5012	CRC 5.56 Non Flammable 20Lt	\$228.51
CRC3013	CRC Soft Seal 400ml	\$19.25
CRC3049	CRC Drylube with PTFE 500ml	\$25.02
CRC3063	CRC Cutting Aerosol 400ml	\$20.40
CRC3064	CRC Cutting Liquid 500ml	\$29.18
CRC6028	CRC Tackleguard 130ml	\$9.14
CRC5014	CRC Multilube Gel 500ml	\$16.76
CRC5501	CRC Penetr8 500ml	\$15.37

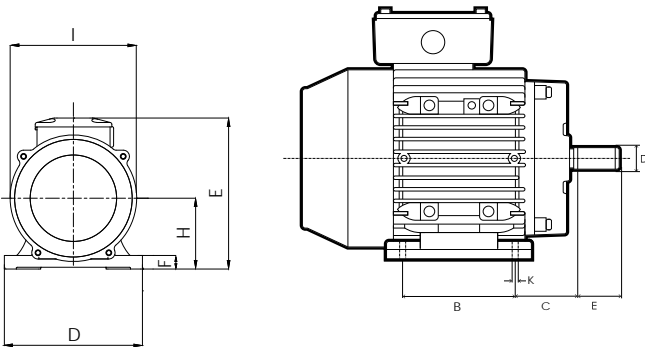
## CRC FOOD GRADE

Code	Description	List Price
CRC35905	CRC Food Grade Anti Seize 227g	\$28.30
CRC3091	CRC Food Grade Chain Lube	\$24.11
CRC1752351	CRC Food Grade Heavy Chain & Meat Rail	\$18.46
CRC3003	CRC Food Grade 5.56 400ml	\$14.82
CRC3037	CRC Food Grade Silicone 75ml	\$12.50
CRC3362	CRC Food Grade Synth Lub 400ml	\$16.46

**Consumables Order Form**

Scan the QR code to download the form.

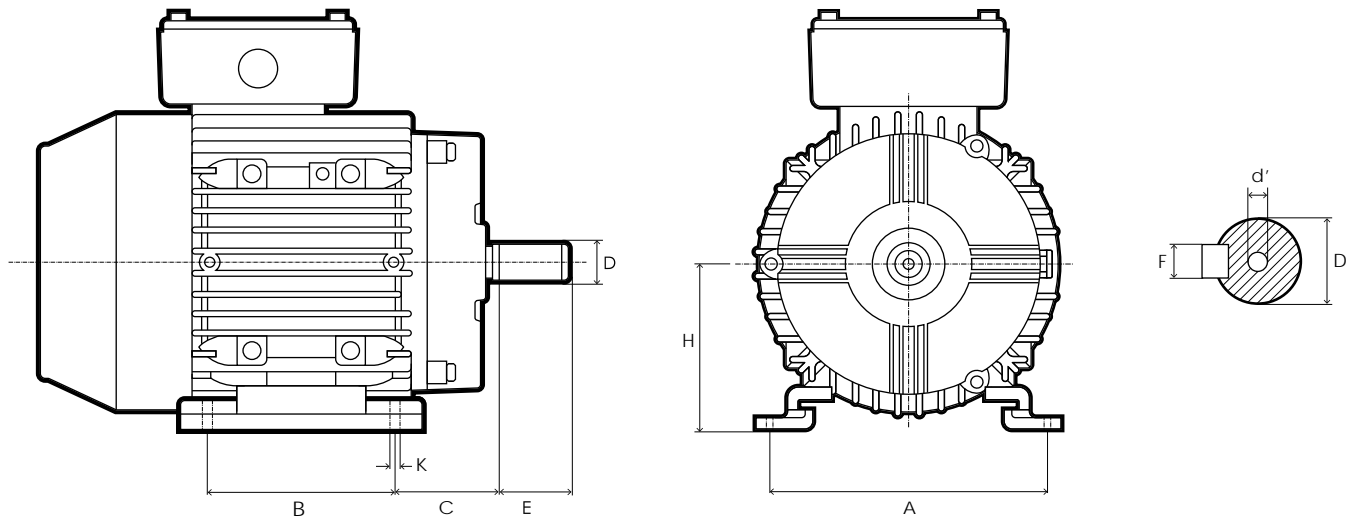




M to Psi

# DRAWINGS & HELPFUL INFORMAITON

Electric motor mountings and dimensions. Pump converstion and questionnaires.

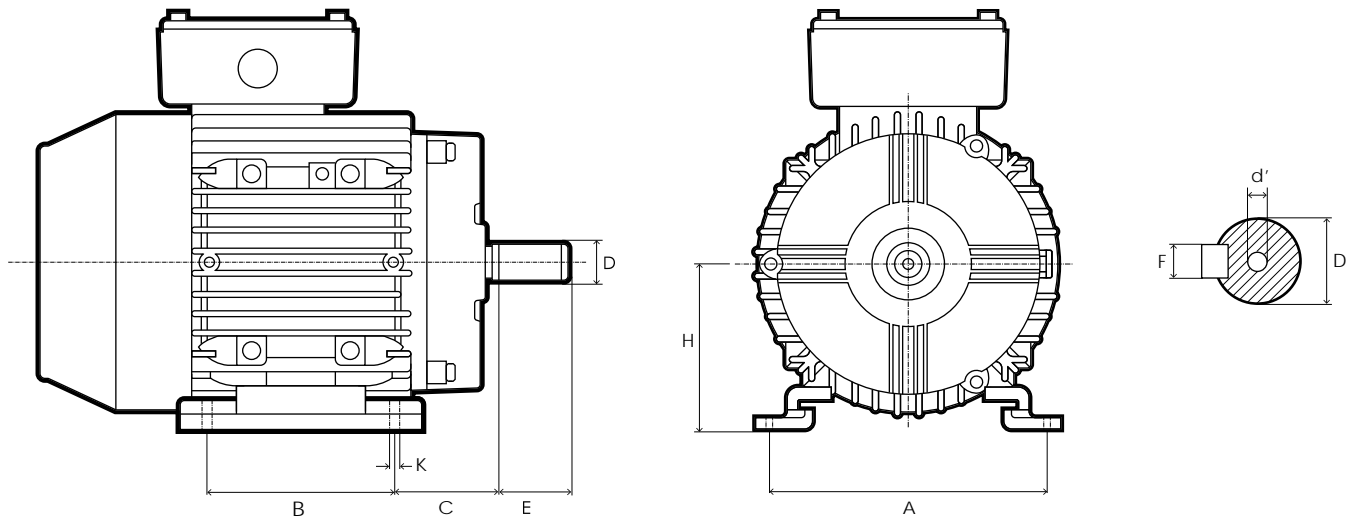


FRAME	FEET				SHAFT (IEC/ABB/BC)					
	H	A	B	C	ØK	D		d'	E	F
						2 pole	4/6/8 pole			
56M	90	71	36	6	6	9	9	M3	20	3
63M	100	80	40	7	7	11	11	M6	23	4
71M	112	90	45	7	7	14	14	M6	30	5
80M	125	100	50	10	10	19	19	M8	40	6
90S	140	100	56	10	10	24	24	M8	50	8
90L	140	125	56	10	10	24	24	M8	50	8
100S	160	112	63	12	12	28	28	M10	60	8
100L	160	140	63	12	12	28	28	M10	60	8
112S	190	114	70	12	12	28	28	M10	60	8
112M	190	140	70	12	12	28	28	M10	60	8
132S	216	140	89	12	12	38	38	M10	80	10
132M	216	178	89	12	12	38	38	M10	80	10
160S	254	178	108	14.5	14.5	42	42	M12	110	12
160M	254	210	108	14.5	14.5	42	42	M12	110	12
160L	254	254	108	14.5	14.5	42	42	M12	110	12
180S	279	203	121	14.5	14.5	48	48	M12	110	14
180M	279	241	121	14.5	14.5	48	48	M12	110	14
180L	279	279	121	14.5	14.5	48	48	M12	110	14
200S	318	228	133	18.5	18.5	55	55	M16	110	16
200M	318	267	133	18.5	18.5	55	55	M16	110	16
200L	318	305	133	18.5	18.5	55	55	M16	110	16
225S-2	356	286	149	18.5	18.5	55	-	M16/M20/M16	110	16
225S	356	286	149	18.5	18.5	-	60	M16/M20/M20	140	18
225M-2	356	311	149	18.5	18.5	55	-	M16/M20/M20	110	16
225M	356	311	149	18.5	18.5	-	60	M16/M20/M20	140	18

**Note:** Drawings are not to scale. Dimensions stated are IEC generic unless stated otherwise.

For specific dimensions please refer to brand product manual.

The symbol '~' depicts not applicable to IEC or brand.

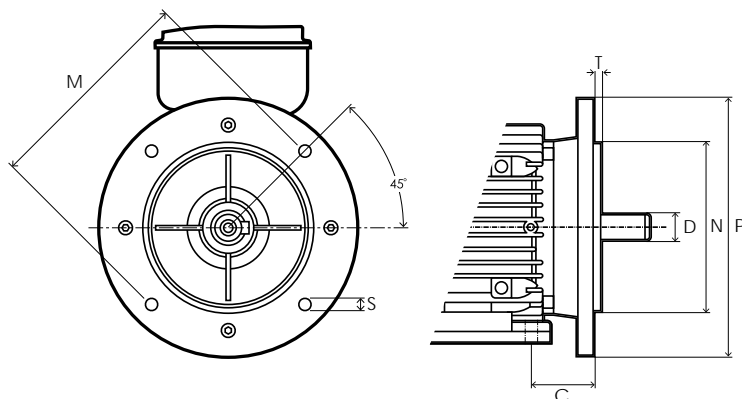


FRAME	FEET				SHAFT (IEC/ABB/BC)					
	H	A	B	C	ØK	D		d'	E	F
						2 pole	4/6/8 pole			
250S	406	311	168	24	-	-	~/65/~	~/M20/~	~/140/~	~/18/~
250M-2	406	349	168	24	60	-	-	M20	140	18
250M	406	349	168	24	-	-	65/65/70	M20	140	18
280S-2	457	368	190	24	65	-	-	M20	140	18
280S	457	368	190	24	-	-	75	M20	140	20
280M-2	457	419	190	24	65	-	-	M20	140	18
280M	457	419	190	24	-	-	75	M20	140	20
315S-2	508	406	216	28	65	-	-	M24/M20/M20	140	18
315S	508	406	216	28	-	-	80	M24/M20/M20	170	22
315M-2	508	457	216	28	65	-	-	M24/M20/M20	140	18
315M	508	457	216	28	-	-	80	M24/M20/M20	170	22
355S-2	610	500	254	28	-	~/70/75	-	~/M20/M24	~/140/140	~/20/20
355S	610	500	254	28	-	-	~/100/100	~/M24/M24	~/210/210	~/28/28
355M-2	610	560	254	28	-	~/70/75	-	~/M20/M24	~/140/140	~/20/20
355M	610	560	254	28	-	-	~/100/100	~/M24/M24	~/210/210	~/28/28
355L-2	610	630	254	28	-	~/~/75	-	~/~/M24	~/~/140	~/~/20
355L	610	630	254	28	-	-	~/~/100	~/~/M24	~/~/210	~/~/28

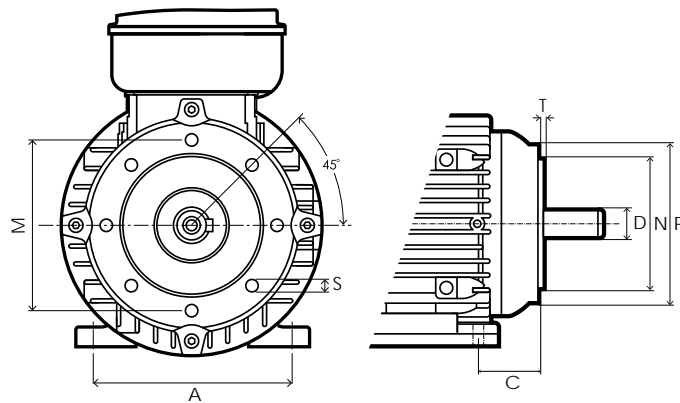
**Note:** Drawings are not to scale. For specific dimensions please refer to brand product manual. Dimensions stated are IEC; some dimensions include IEC, ABB and BC (Brook Crompton). The symbol '~/~' depicts not applicable to IEC or brand.

**How to read a name plate**  
Scan the QR code to learn more.





B35 Feet, Flange/B5 Flange (A or D)



B34 Feet, Face/B14A Face (C)

B35 / B5					
Frame	M	N	P	S	T
56	100	80	120	M7	2.5
63	115	95	140	10	3
71	130	110	160	10	3
80	165	130	200	12	3.5
90	165	130	200	12	3.5
100	215	180	250	14.5	4
112	215	180	250	14.5	4
132	265	230	300	14.5	4
160	300	250	350	18.5	5
180	300	250	350	18.5	5
200	350	300	400	18.5	5
225	400	350	450	18.5	5
250	500	450	550	18.5	5
280	500	450	550	18.5	5
315	600	550	660	24	6
355	840	780	900	24	6

B34 / B14A					
Frame	M	N	P	S	T
56	65	50	80	M5	2.5
63	75	60	90	M5	3
71	85	70	105	M6	3
80	100	80	120	M6	3
90	115	95	140	M8	3
100	130	110	160	M8	4
112	130	110	160	M8	3.5
132	165	130	200	M10	4
160	215	180	250	M12	4

B14B FACE (SPECIAL)					
Frame	M	N	P	S	T
56	85	70	105	M6	3
63	100	80	120	M6	3
71	115	95	140	M8	3
80	130	110	160	M8	3.5
90	130	110	160	M8	3.5
100	165	130	200	M10	3.5
112	165	130	200	M10	3.5

How to read a name plate  
Scan the QR code to learn more.



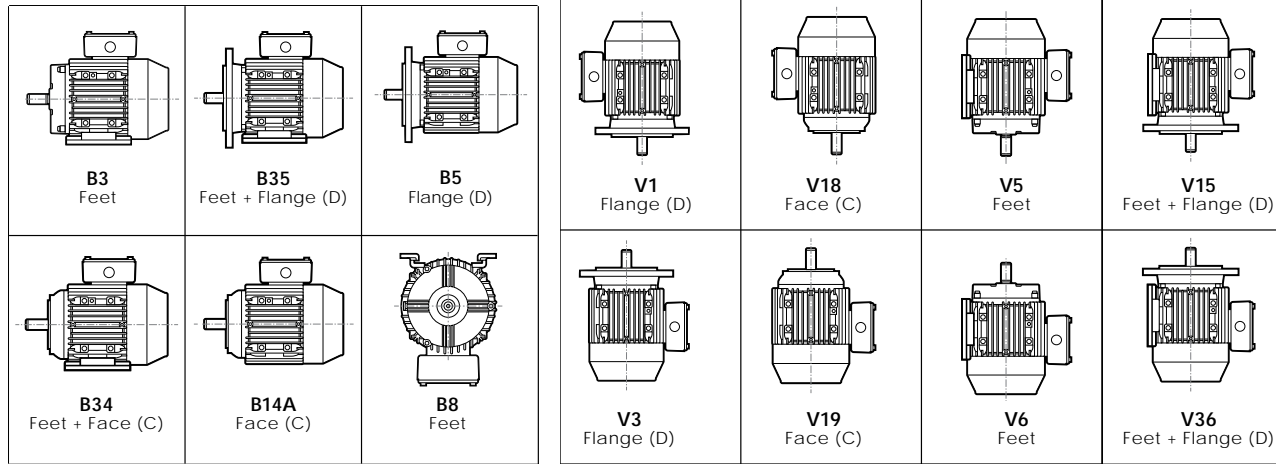
# ELECTRIC MOTOR MOUNTING TYPES AND CONFIGURATIONS

PAGE 107

An electric motor's mounting depends on its application, with different options to suit specific needs. IEC codes (e.g., B3, B5, B35, V1, V5) define how the motor is attached and the shaft orientation. B-series covers horizontal mounting with foot or flange options, while V-series covers vertical mounting with the shaft up or down. Terminal box positions, usually on top but sometimes movable, are specified separately. Both mounting style and terminal box location must be considered when specifying a motor.

## Horizontal Mounting Configurations

## Vertical Mounting Configurations\*



TYPE	MOUNT STYLE	DESCRIPTION	APPLICATION
B3	Foot	Motor sits on feet and bolts to a base plate. Most common option.	Stable, easy to install. Common for pumps, blowers and compressors.
B5	Flange (D)	Large front flange (D) with bolt holes. No feet. The D flange outer diameter is larger than the motor body.	Saves floor space. Ideal for direct drive, pumps or gearboxes.
B35	Foot & Flange (D)	Motor has feet and large flange (D). The flange's (D) outer diameter is larger than the motor body. Flexible mounting: use either feet or flange depending on installation.	Fits horizontal or vertical setups. Good for retrofits and replacements.
B14	Face (C)	Motor mounts via the face (C) with 4 threaded bolt holes. No feet.	Compact. Ideal for small pumps, fans and limited space installations.
B34	Foot & Face (C)	Motor has feet and the face (C) with 4 threaded bolt holes. Flexible mounting: use either feet and face or face depending on space and requirements.	Flexible installation. Suitable for pumps, fans and retrofit applications.
V Series	Foot, Flange (D), Face (C)	Motor can be installed with shaft down (most common) or up. Mounting by feet, flange (D) or face (C). May require thrust bearings for axial loads; rain hat for outdoor protection.	Perfect for vertical pumps, aerators and tight spaces.

\* May require application relevant components i.e. rain hat for outdoor protection, thrust bearings for axial load.

**PUMP QUESTIONNAIRE: CLEAN OR DRINKING WATER**

**Application:**

- Household water supply   
  House and garden   
  Water transfer  
 Pressure boost   
  Tank filling

**House size:**

- 1 bathroom house   
  2 bathroom house

**Power supply:**

- 230V mains   
  Three phase (400V)

**Water source:**

- Above ground tank   
  In ground tank   
  Bore / Well

**Water requirements:**

- No. of showers   
  Lift from pump (A) to point of discharge (B)  
 No. of sprinklers/drippers   
  Automatic operation  
 Type of sprinkler   
  Manual operation

**Pipe details from water to the pump:**

Type of pipe: Polyethylene / PC / Copper / Steel

Is the water source above or below the pump? Above / Below

Pipe length (horizontal) \_\_\_\_\_ meters    Pipe diameter \_\_\_\_\_ millimeters

Height from water source to pump (vertical) \_\_\_\_\_ meters (allow for drops in water level.)

**Pipe details from the pump to the application:**

Type of pipe: Polyethylene / PC / Copper / Steel

Is the pump above or below the application? Above / Below

Height from pump to application (vertical) \_\_\_\_\_ meters (allow for drops in water level.)

Pipe length (horizontal) \_\_\_\_\_ meters    Pipe diameter \_\_\_\_\_ millimeters



**PUMP QUESTIONNAIRE: FARM OR INDUSTRIAL**

**Application:**

- |   |   |                                       |
|---|---|---------------------------------------|
| <input type="checkbox"/> Irrigation     | <input type="checkbox"/> Wash down      | <input type="checkbox"/> Plate cooler |
| <input type="checkbox"/> Water transfer | <input type="checkbox"/> Cowshed supply |                                       |
| <input type="checkbox"/> Tank filling   | <input type="checkbox"/> Stock water    |                                       |

**How much flow and pressure:**

Flow (Q): \_\_\_\_\_ L/sec L/min m3/hr Pressure (H): \_\_\_\_\_ psi Bar Head (m)

**Power supply:**

- |   |  |
|---|--|
| <input type="checkbox"/> 230 V single phase | <input type="checkbox"/> 400 V three phase |
|---|--|

**Water source:**

- |  |   |                                      |
|--|---|--------------------------------------|
| <input type="checkbox"/> Above ground tank | <input type="checkbox"/> In ground tank | <input type="checkbox"/> Bore / Well |
|--|---|--------------------------------------|

**Pipe details from water to the pump:**

Type of pipe: Polyethylene / PC / Copper / Steel

Pipe length (horizontal) \_\_\_\_\_ meters Pipe diameter \_\_\_\_\_ millimeters

Height from water source to pump (vertical) \_\_\_\_\_ meters (allow for drops in water level.)

**Pipe details from the pump to the application:**

Type of pipe: Polyethylene / PC / Copper / Steel

Height from pump to application (vertical) \_\_\_\_\_ meters (allow for drops in water level.)

Pipe length (horizontal) \_\_\_\_\_ meters Pipe diameter \_\_\_\_\_ millimeters

**Find these pump questionnaires forms online**

Scan the QR code to download the form.



PRESSURE		
Given units	Required units	Multiply by
M	Psi	x 1.42
	Kpa	x 9.8
	Bar	x 0.098
	Ft	x 3.281
Psi	M	x 0.73
	Kpa	x 6.9
	Bar	x 0.069
	Ft	x 2.31
Kpa	M	x 0.102
	Psi	x 0.145
	Bar	x 0.01
	Ft	x 0.335
Bar	M	x 10.211
	Psi	x 14.5
	Kpa	x 100
	Ft	x 33.5
Ft	M	x 0.305
	Psi	x 0.433
	Kpa	x 2.988
	Bar	x 0.03

FLOW		
Given units	Required units	Multiply by
M3/Hr	L/min	x 16.67
	L/sec	x 0.278
Lt/min	M3/Hr	x 0.06
	L/sec	x 0.017
Lt/sec	M3/Hr	x 3.6
	L/min	x 60

### Water usage examples

(water quantities will vary depending on situation so these are a guide only)

#### House

- Shower 10 - 15 litres/minute
- Fill a bath 10 - 20 litres/minute
- Flush toilet 3 - 15 litres/minute
- Lawn sprinkler 5 - 10 litres/minute
- 1/2" tap 10 - 15 litres/minute
- 3/4" tap 10 - 20 litres/minute

#### Farm

- Cattle 45 - 90 litres/day
- Milking cows 135 - 180 litres/day
- Sheep 4.5 - 9 litres/day
- Pigs 9 litres/day
- Chickens 22.5 litres/day per 100 chickens
- Washdown hose 250 litres/minute @36.5M (50psi)



With expertise, and a comprehensive portfolio of products, ABB products help value-minded industrial customers improve their energy efficiency and productivity.

ABB low voltage motors have what it takes to help every industry and application reach new levels of efficiency and energy savings even under the most demanding conditions. Combining the best available materials with superior technology, the electric motors are designed to operate reliably no matter how challenging the process or application, and to have low life cycle costs. Our wide range of low voltage AC induction motors are suitable for all industries and applications and they fulfil all international and national efficiency regulations.

ABB Drives empower your business with profitable efficiency. You base your business on efficiency and performance. You know that everything counts to make you more competitive. ABB drives are made with all this in mind, empowering productivity and efficiency. They provide flexibility to help you optimise your processes and control, and reliable for less downtime.



Brevini Power Transmission, part of Dana Inc., designs and manufactures mechanical transmissions for a wide range of industrial sectors, including mining, construction, mineral processing and marine technologies. Brevini provides a complete range of modular gearboxes for industrial applications. Easy to install and maintain, the company's units combine low-cost and compact size with high-performance and reliability.



Brook Crompton high efficiency electric motors are available in both aluminium and cast iron. Suitable for use within a diverse range of applications from manufacturing, forestry/milling, paper and pulp, infrastructure to agriculture. Three phase 2, 4, 6 and 8 pole with frame sizes from 63 to 355, 0.18 to 374 kW. Brook Crompton motors have removable feet and multiple bolt hole locations around the motor allows the terminal box to be positioned to the left, right or top.



Crompton Greaves offers a wide range of high and low voltage motors (rotating machines). The range includes safe and hazardous area motors, energy efficient motors as well as motors for special applications like brake motor, re-rolling mill, cement mill, oil-well pump etc. Our range also includes DC Motors and Traction motors. Our motors are available in various standards and customised configurations to respond to the exacting demands of the industry.



Dol design and produce intelligent feed and production sensor solutions which are primarily used for automated tasks within the agricultural and feed industries. With a growing world population in general, and the increasing need for improved food quality in particular, the need for sensors is rapidly growing. The ability to measure essential production parameters is necessary to support efficient agricultural production. We are committed to meet and exceed the needs of the agriculture and feed industries, and in doing so ensure the welfare of animals and people and the protection of the environment.



Elprom designs & manufactures a range of flameproof electric motors for safe & reliable solutions. The range of motors is an ideal solution where weight is an issue.

Elprom motors are manufactured in compliance with all the European standards concerning equipment and protective systems for potentially explosive situations.



The Electric Motor Group is unified network of industrial motor dealers and agents throughout New Zealand. We supply quality industrial electric motors to light and heavy industry, manufacturing and processing plants.



Hydro-Mec's product range and capabilities include worm and single stage gearboxes available in a matrix of speed and size variations. All the products and parts are made in Europe, using the latest technology both in design and production, to offer a competitive high-efficiency gearbox program, suitable for today's market needs.



OLI is the international leader in industrial vibration technology. They provide industrial and electric vibrators designed to adapt to multiple applications in the widest range of industrial sectors. Oli vibrators can be used as flow aids, on hoppers or silos to improve material discharge, or as drives on vibrating machines for several purposes such as conveying, screening, sizing, or compacting in a variety of industries.



Orange 1 manufacture a wide range of motors including single and two speed, single and 3-phase, with AC or DC brakes and they also produce a 'low-centre' motor that have been specially designed to provide the same power as the IEC standard series but with a lower shaft height. Orange 1 electric motors are produced in aluminium frames and cast-iron frames. The aluminium motors all have removable feet enabling the client to mount the terminal box in a position that best suits.



Rotomotive motors are compact reduced frame motors that can be used in a wide range of applications. The motors are typically in one frame size lower than their standard duty providing high starting torque with low starting current. The motors are suitable for frequent starts/stops and reversals. Rotomotive motors are totally enclosed, and fan cooled. The frame sizes are made from light weight die cast aluminium alloy and the frame and end-covers are made from cast iron.

# OUR TEAM

PAGE 113

- The SOCO team are experienced and qualified to offer technical advice on a range of products.
- For any inquiry please contact us on 06 354 3651, [sales@soco.co.nz](mailto:sales@soco.co.nz) or visit us at 471 Tremaine Avenue, Palmerston North



David Odering  
Managing Director



Dean Berquist  
Bearing Department  
Manager



Regan Currie  
Area Sales  
Representative



Ariana MacDonald  
Customer Service



Damon McKee  
Workshop Foreman



Ivan Hansen  
Workshop Technician



Dave Bartosh  
Workshop Technician



Alan Parker-Murrell  
Workshop Technician



Bryan Gilchrist  
Workshop Service  
Technician



Travis Buckley  
Workshop Service  
Technician



Fiona Odering  
Marketing



Rose Divinagracia  
Administrator



Ruby







Electric Motors | Pumps | Drives | Bearings | Power Transmission | Engineering Services | Workshop Services  
06 354 3651 | [sales@soco.co.nz](mailto:sales@soco.co.nz) | [www.soco.co.nz](http://www.soco.co.nz)  
471 Tremain Avenue, Palmerston North

